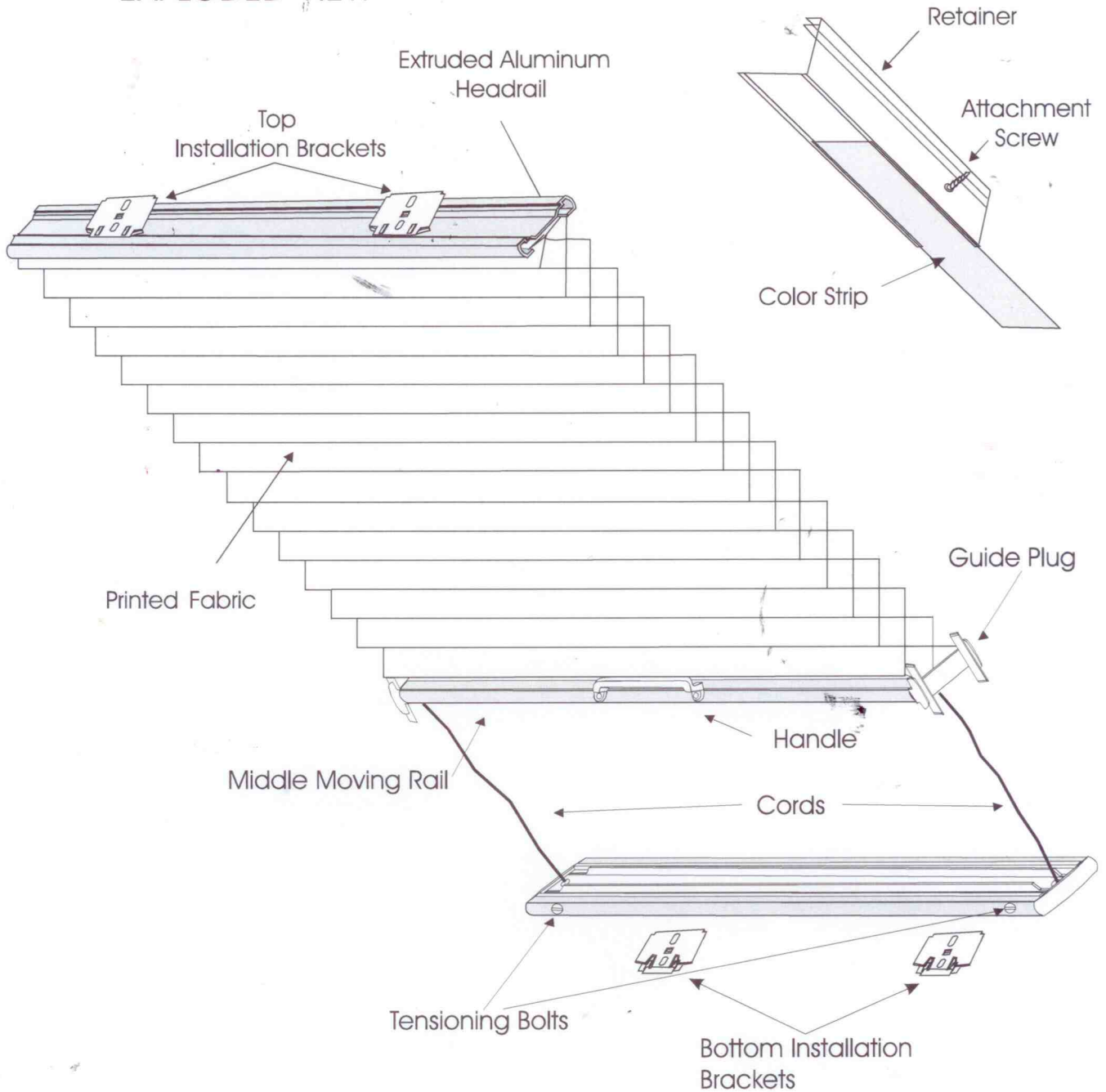


Skylight Cord Tension Shading System Installation Manual

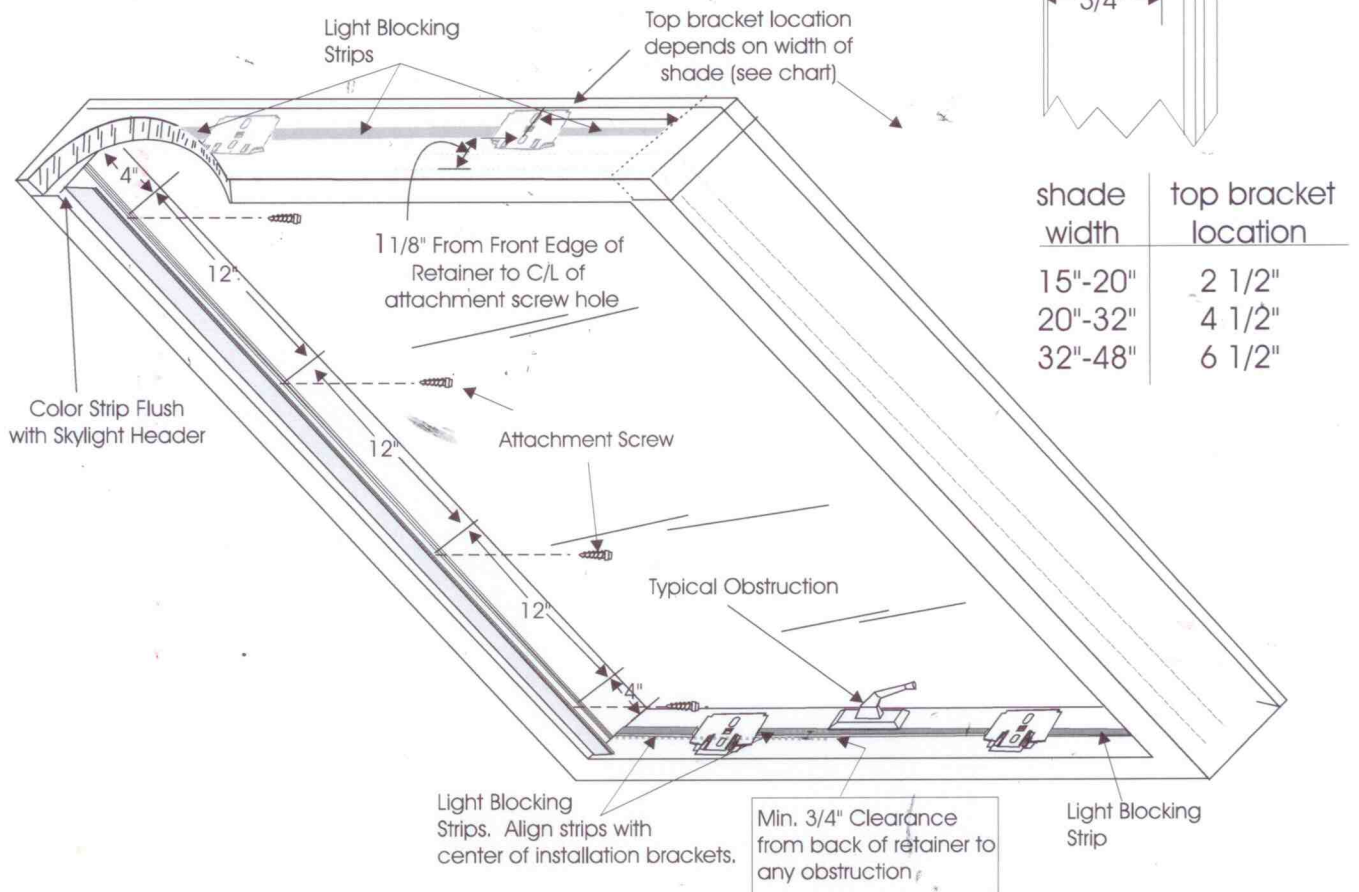
EXPLODED VIEW



SKYLIGHT INSTALLATION INSTRUCTIONS

Important: There can not be more than 1/4" variation in window opening

- ◇ Install the Retainer assembly with screws provided as shown below.
- ◇ Screws should be 3/4" from front edge of the Retainer.
- ◇ Screws should be placed four (4) inches in from each end and twelve (12) inches apart for intermediate screws.
- ◇ Left and right tracks must be installed parallel to each other.
- ◇ Back of retainer must be at least 3/4" from any obstruction.



Screw Installation Brackets into the skylite header with the center of the attachment screw hole 1 1/8" back from the front edge of the Retainer. Hex Head screws are supplied for the mounting brackets. Top Bracket locations depend on the width of the shade. Refer to chart for location. Bottom Brackets should be screwed three inches in from the left and right sides.

LIGHT BLOCKING STRIP APPLICATION

Note: Do Not remove paper liner from Light Blocking Strips until they are cut to length.

1. Cut 6 pieces of Light Blocking Strip to fit in the spaces shown in the diagram above. (Between brackets, and between brackets and window casing, on top and bottom sills)
2. Remove paper liner from one piece of Light Blocking Strip. Apply strip to correct area of sill, aligning the strip with the center of the brackets.
3. Press down firmly. Do Not stretch strip.
4. Repeat steps 2 and 3 for remaining pieces of Light Blocking Strip.

If the shade seems to need lubrication, lightly spray with DRY silicone spray (purchase locally.)

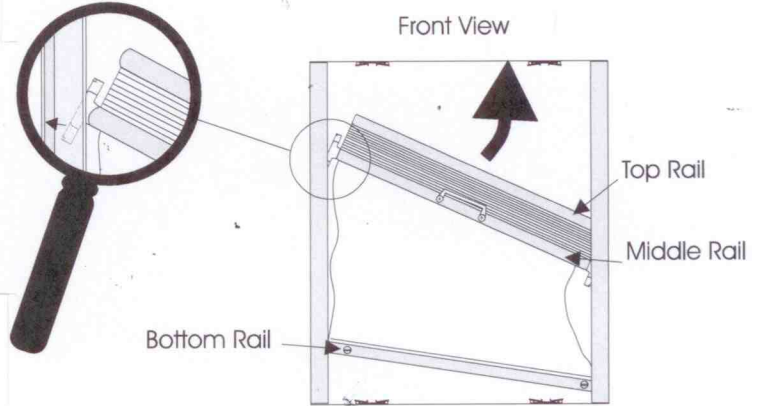
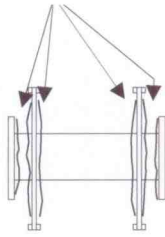


figure 1

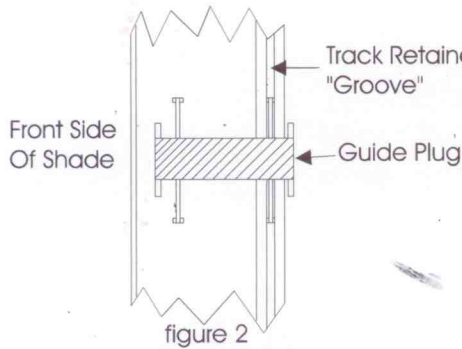


figure 2

Tilt compressed top and middle rails to position in retainer track (figure 1). Make sure the cords are hanging freely from the middle rail and are not wrapped around the Guide Plugs. Insert one side of middle rail at a time by positioning "barbed rib" on back side of guide plug into groove of track retainer (figure 2).

Push Guide Plugs into Track Retainer all the way, by holding middle rail securely and pushing rail toward retainer until you hear three clicks (figure 3). Make sure that the Guide Plug is square to the track Retainer for smooth operation.

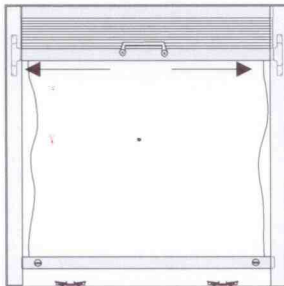


figure 3

With both sides of the Middle Rail snapped into the track retainer, slide the middle and top rails up to the top mounting brackets. Lift the top rail up against the bottom of the installation bracket so that the spring loaded front clip is engaged in the front groove of the rail. Push the rail back and up until the back hooks of the bracket are engaged in the back groove of the rail (figure 4).

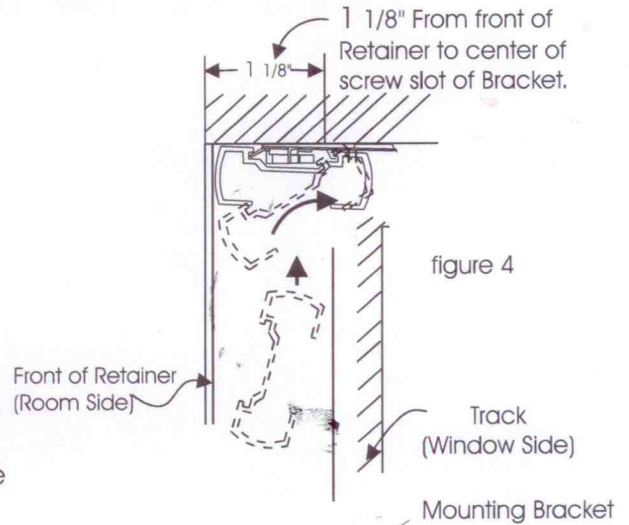


figure 4

With the Top Rail securely fastened to the top installation brackets, you can now secure the Bottom Rail to the bottom installation brackets in the same manner. You will notice that the cords are loose. Check the gap between the fronts of the Head and Bottom Rails and the front side of the Retainer Track (see figure 5). If the spacing is not uniform, loosen mounting brackets and adjust as necessary.

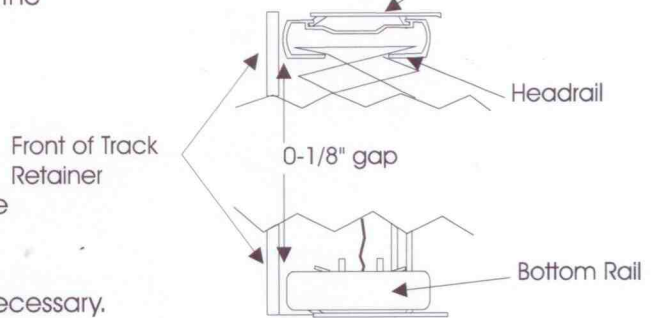


Figure 5

