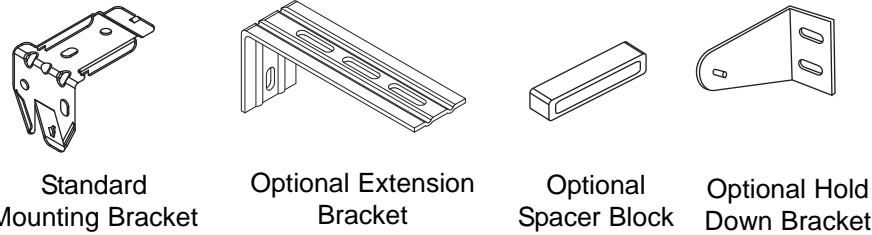


**BASICS**

A few simple tools are required:

- Measuring tape
- Power drill, drill bits
- Hex head and/or Phillips driver bit
- Pencil

Additional fasteners other than those sent with your shade may be required depending on the mounting surface. Wallboard and plaster require the use of anchors such as expansion or toggle bolts. Brick, tile or stone need special plugs and drill bits. Remember to always pre-drill holes in wood to avoid splitting.



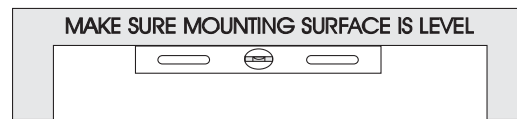
**BRACKET INSTALLATION**

Shades are shipped with the required number of brackets for proper installation. End brackets should be located approximately 3" from either end. Depending on the width of the shade, additional brackets may be necessary, evenly spaced between the two end brackets.

For shade widths of:	Use this Number of brackets:
Up to 40"	2
40" - 72"	3
72" - 84"	4
84" and up	5

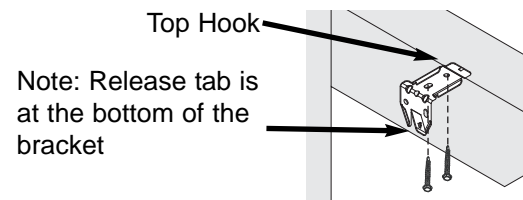
Using the Installation Bracket as a template, measure to the edge of the bracket and mark the hole locations with a pencil for drilling. When mounting brackets, make sure they are in line and level.

**Brackets must be in line and level.** Shim brackets on inside mounts if necessary. The headrail must be level for the shade to operate properly.



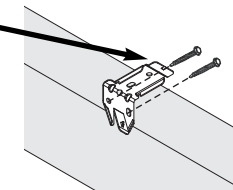
**Inside or Ceiling Mounts**

Use the top bracket holes.



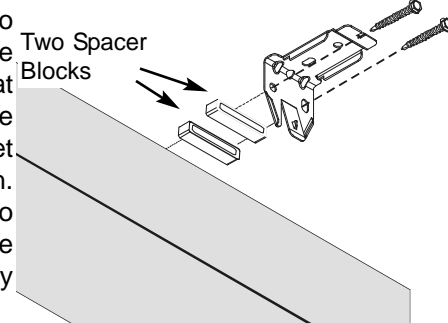
**OUTSIDE MOUNT (When Battery Wand Is Mounted On The Wall)**

The brackets are mounted with two Top Hook screws through the back end of the bracket flat against the window molding or the wall above the window. The bracket requires a minimum surface 1/2" high.



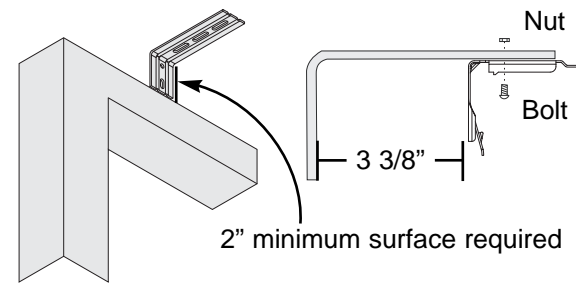
**OUTSIDE MOUNT (When Battery Wand Is Mounted On The Headrail)**

The brackets are mounted with two screws through the back end of the bracket and two spacer blocks flat against the window molding or the wall above the window. The bracket requires a minimum surface 1/2" high. The spacer blocks are required to project the headrail away from the wall to provide room for the battery wand.

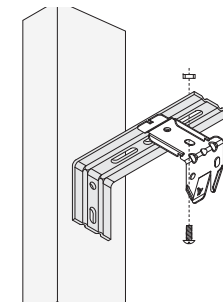


**EXTENSION BRACKETS (Optional)**

Optional Extension Brackets are used to project the back of the shade up to 2 3/8" from the mounting surface. Attach the Installation Bracket to the Extension Bracket with the nut and bolt provided.



**SIDEMOUNT WITH EXTENSION BRACKET (Optional)**



**BATTERY WAND ATTACHMENT**

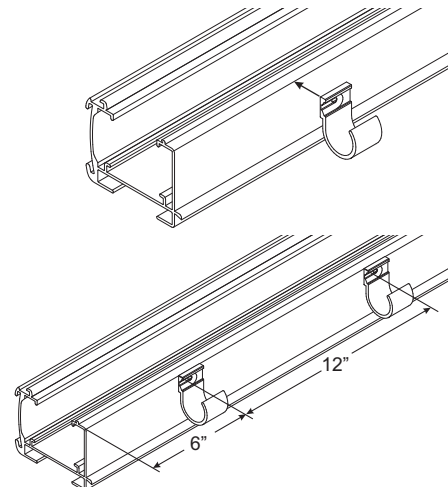
The shade comes with a 10" extension wire. Determine the best position for the battery wand before proceeding. Make sure that extension wire is long enough to reach from the battery wand to the motor (at the right end of the head rail). Longer wires are available if needed.

**Headrail Attachment**

Remove the paper backing from the adhesive backing on the clip. Attach the clip to back of the headrail as shown.

Be sure that the first clip is 6" in from the end of the headrail and the second clip is 12" from the first. This will allow room for the installation brackets.

Snap the battery wand into the clips.

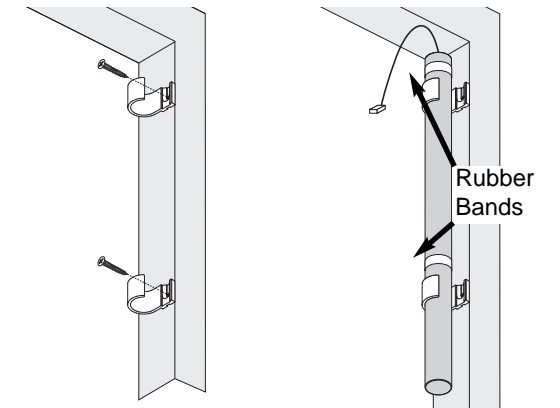


**Wall Attachment**

Using one screw per clip, attach the clips to the wall as shown.

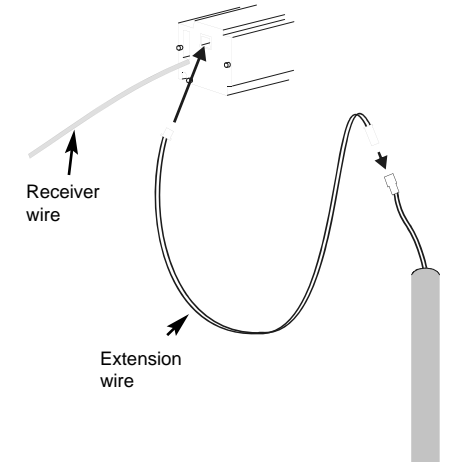
Be sure that the distance between the first clip and the second clip is 12".

Place the rubber bands on the battery wand so that when the wand is in the clips, the rubber bands will prevent the wand from sliding out. See diagram to the right.



**ATTACH BATTERY WAND TO MOTOR**

Insert the end of the extension wire with the shorter tip into the motor and the opposite end into the battery wand.



**HANGING THE SHADE**

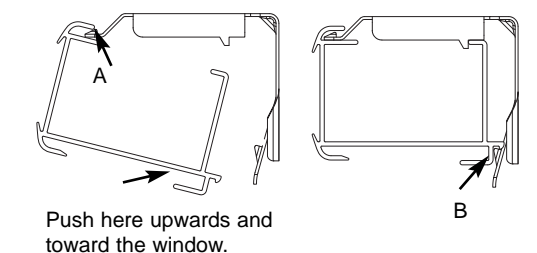
Before mounting the headrail make sure that the receiver wire is out of the headrail. For optimal performance position the receiver wire so that it is facing into the room.

First, lower the bottom rail about an inch. This will help keep the fabric from getting caught between the brackets and the headrail.

Position the headrail with the front lip (A) resting on the top hooks of all the brackets. Make sure that no fabric is pinched between the brackets and the headrail.

Push the bottom of the headrail firmly upwards and toward the window until the groove at the bottom of the headrail snaps into place, (B) as shown.

Once the shade is installed, plug the battery wand into the motor (Shade will "Jog" when battery is plugged in).



## SETTING FAVORITES AND RE-ADJUSTING LIMITS

**NOTE: When adjusting limits on a shade, unplug all other motorized shades. When completed with adjusting limits, plug the motors back in.**

### Setting an Intermediate Position (IP)

1) Press the **UP** or **DOWN** directional button on the previously addressed transmitter until the shade reaches a desired intermediate position, then press the **MY (Stop)** button to stop. If necessary adjust the desired position with a brief press of either the **UP** or **DOWN** button.



2) Press and hold the **MY (Stop)** button on the transmitter until the shade jogs. Intermediate position is now added to memory



3) Activate the shade intermediate position by pressing the **MY (Stop)** button from ANY shade position.



**Note: Shade should be stationary prior to activating intermediate position function. If shade is actively moving (in-motion) MY (Stop) button should be pressed twice. To Delete: Activate shade to (IP) position, then press and hold the MY (Stop) button for 5 seconds.**

### Re-adjusting Upper Limit (UP Shade Position)

1) Press the **UP** directional button on the transmitter. Shade will travel to the pre-set UP limit.



2) Once shade stops at pre-set up limit, press and hold the **UP and DOWN** buttons simultaneously on the transmitter until the shade jogs.



3) Press and hold either the **UP** or **DOWN** button on the transmitter to adjust shade to new position.



4) Press and hold the **MY (Stop)** button until the shade jogs. New Upper Limit (Up Stop Position) is now added to memory.



### Re-adjusting Lower Limit (DOWN Shade Position)

1) Press the **DOWN** directional button on the transmitter. Shade will travel to the pre-set DOWN limit.



2) Once shade stops at pre-set down limit, press and hold the **UP and DOWN** buttons simultaneously on the transmitter until the shade jogs.



3) Press and hold either the **UP** or **DOWN** button on the transmitter to adjust shade to new position.



4) Press and hold the **MY (Stop)** button until shade jogs. New lower limit (Down Stop Position) is now added to memory

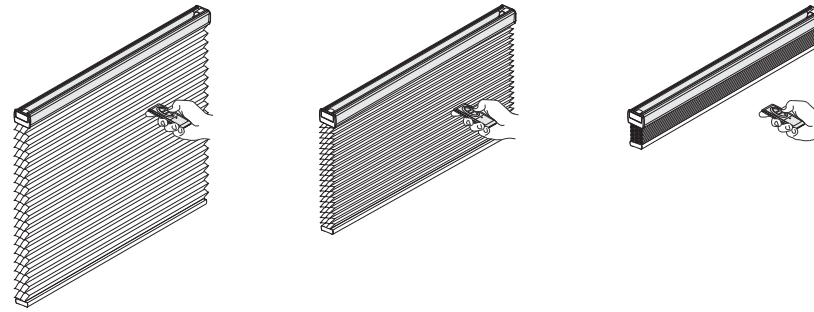


## SHADE OPERATION

Pressing the down button will fully open the shade.

Pressing the middle button will bring the shade to the Intermediate Position.

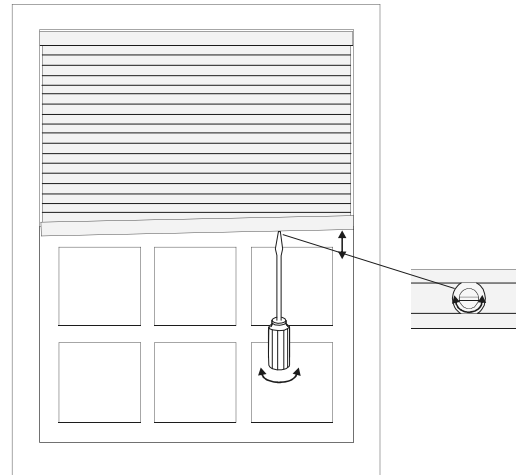
Pressing the up button will fully close the shade.



### Level the Bottom Rail (If Necessary)

Motorized Cellular shades use a system that allows easy leveling of the bottom rail. It is designed to make slight adjustments (Less than 1") to level the moving rails of your shade. It is not designed to make length adjustments.

Use a flat head screwdriver or a coin (a quarter works best) to turn the adjustment screw in the bottom rail to raise or lower that side of the bottom rail.

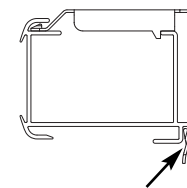


One quarter turn of the screw will move the bottom rail up or down approximately 1/4".

Over-turning the adjustment screw (more than 1" of adjustment) can cause the cord to tangle or wedge inside the rail. The screw should turn easily - Do Not Force.

### SHADE REMOVAL

To remove a shade, insert a screwdriver between the headrail and the bottom back of the bracket (tab which extends out slightly from each bracket).



Insert screwdriver here and gently pry.

Gently pry the screwdriver to release the bracket from the headrail. Take care not to damage the painted finish of the headrail.

As you release the brackets, support the headrail to keep it from falling.

### CLEANING AND CARE

The Shade fabric is easy to care for. Regular dusting with a feather duster or vacuum cleaner brush is recommended. Most stains can be blotted with a damp sponge and mild detergent. Cellular and Pleated shades can be removed from the Installation brackets and soaked in warm water. When damp, raise shade tightly to re-crisp pleats. Before using anything stronger than mild detergent and lukewarm water, test an unobtrusive corner of the shade. If you have any questions, call your dealer for advice.

# Installation Instructions for Somfy Motorized Cellular

