

UNIT MEASUREMENTS

- Custom Widths up to 16'
- Custom Heights up to 20'

FABRIC CHOICES

- Screens Fabrics
- Black Out Fabrics
- Clear Vinyl
- Sunbrella Fabrics



MANUAL BOX

Gear



5.5" Extruded Aluminum Box



Hand Brace



48" | 60" | 72" | 84" | 96"

Cable Guided System
Floor or Wall Mount *see page 2*

HARDWARE COLORS

WHITE



DESERT SAND



BROWN



BOX COLORS

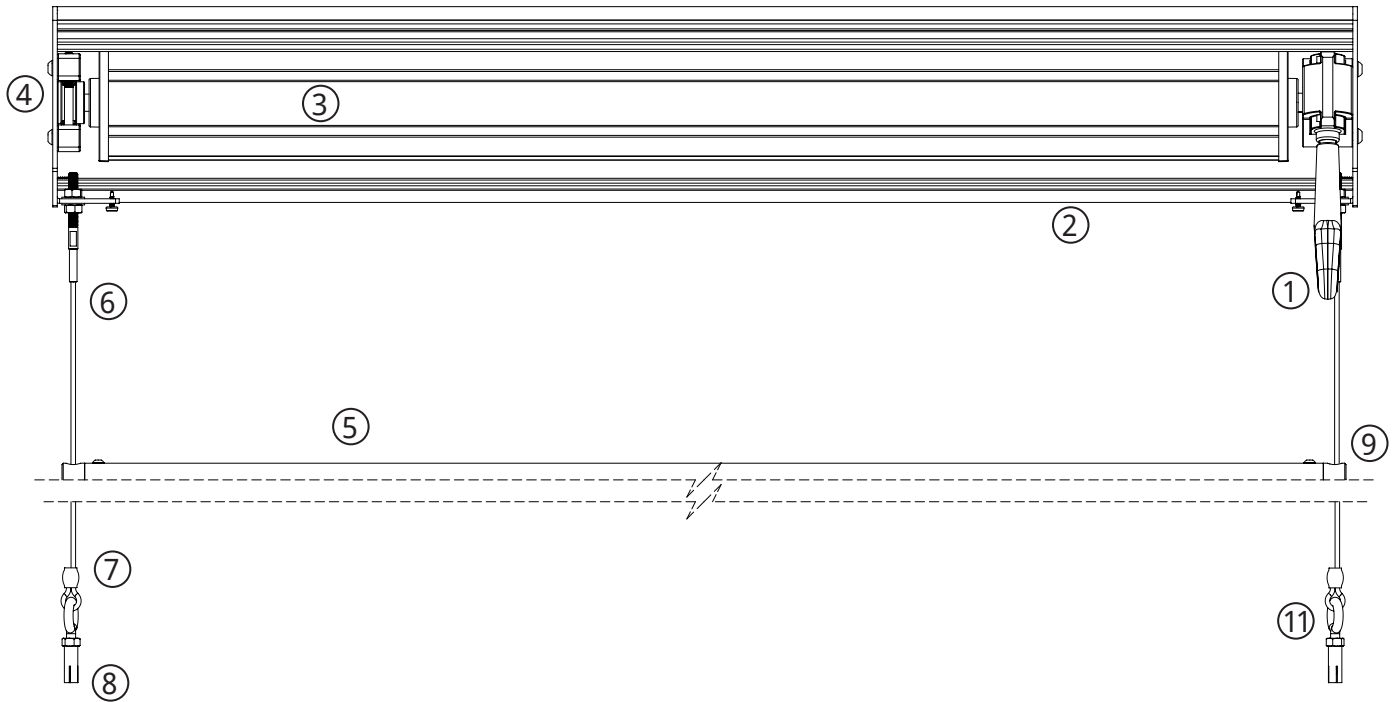


Motorized



UPGRADE *Options*

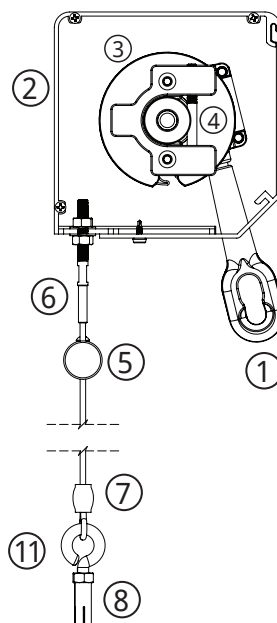
FRONT VIEW



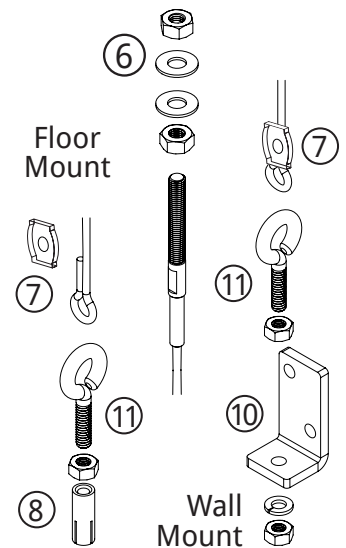
MANUAL COMPONENTS

1. 7:1 120mm Gear
2. 5.5" Extruded Aluminum Box
3. 80mm Fabric Tube
4. Cradler Idler
5. Bottom Bar
6. Tension Rod with Cable
7. Simplex Fastener
8. Cable Anchor
9. Bottom Bar Eyelet
10. Cable Wall Bracket
11. Eye Bolt

SIDE VIEW

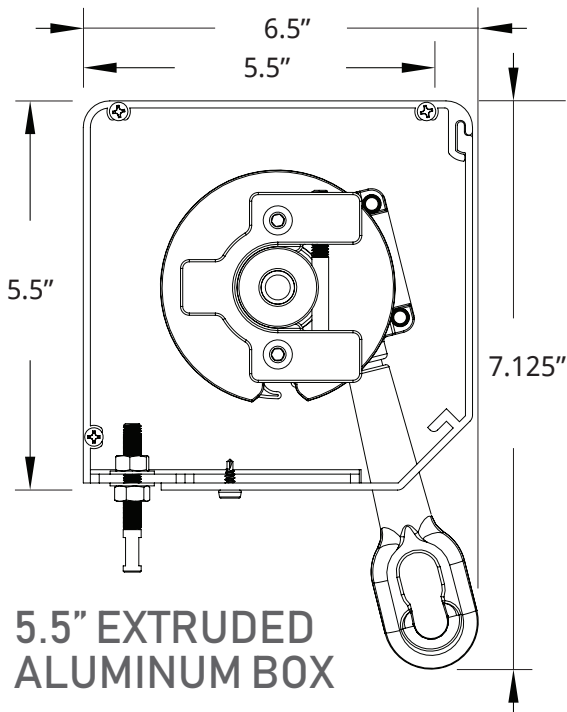
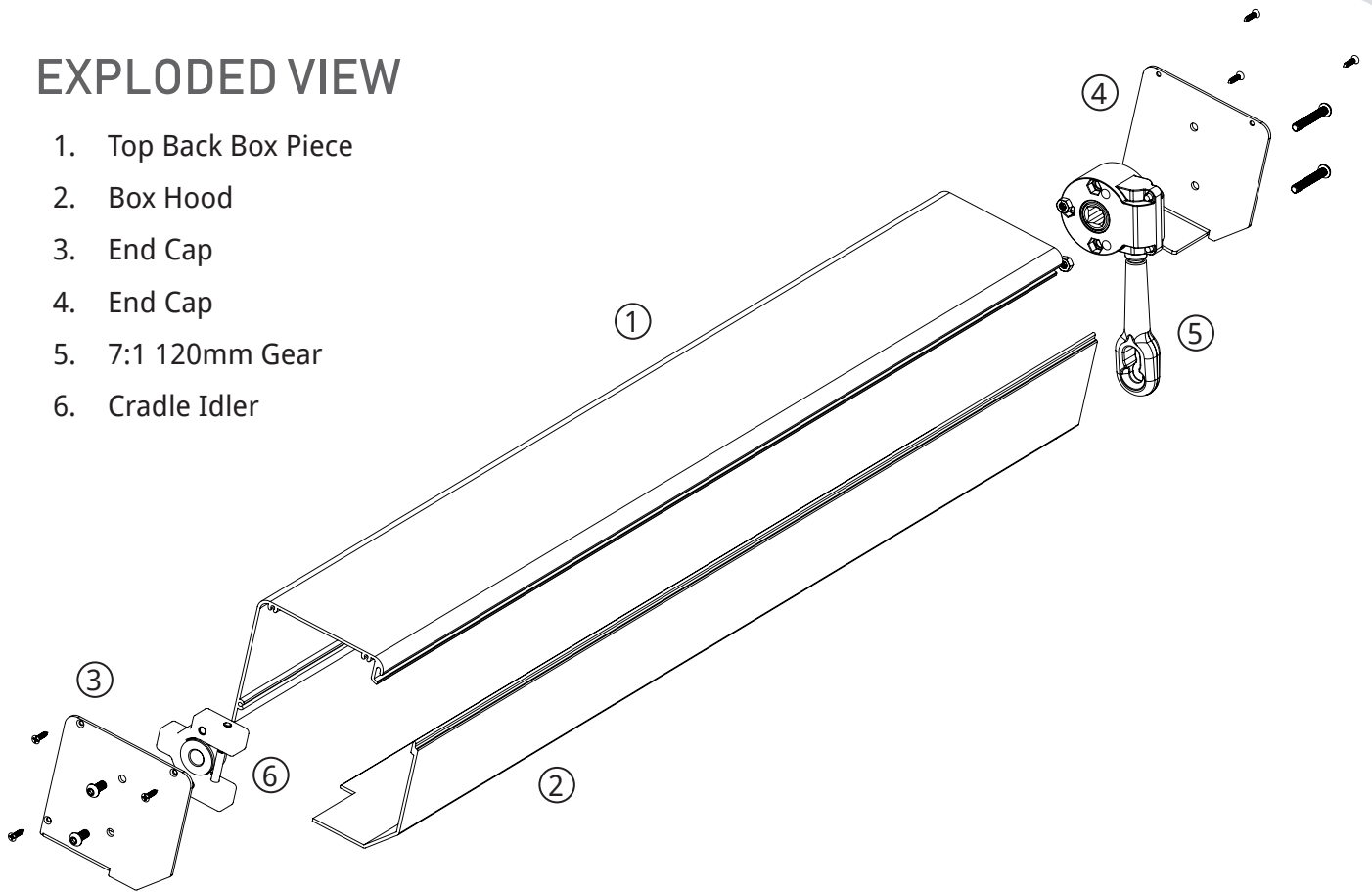


CABLE COMPONENTS



EXPLODED VIEW

1. Top Back Box Piece
2. Box Hood
3. End Cap
4. End Cap
5. 7:1 120mm Gear
6. Cradle Idler



EXPLODED VIEW 80MM TUBE

1. 80mm Fabric Tube
2. Round Pin
3. Square Pin

