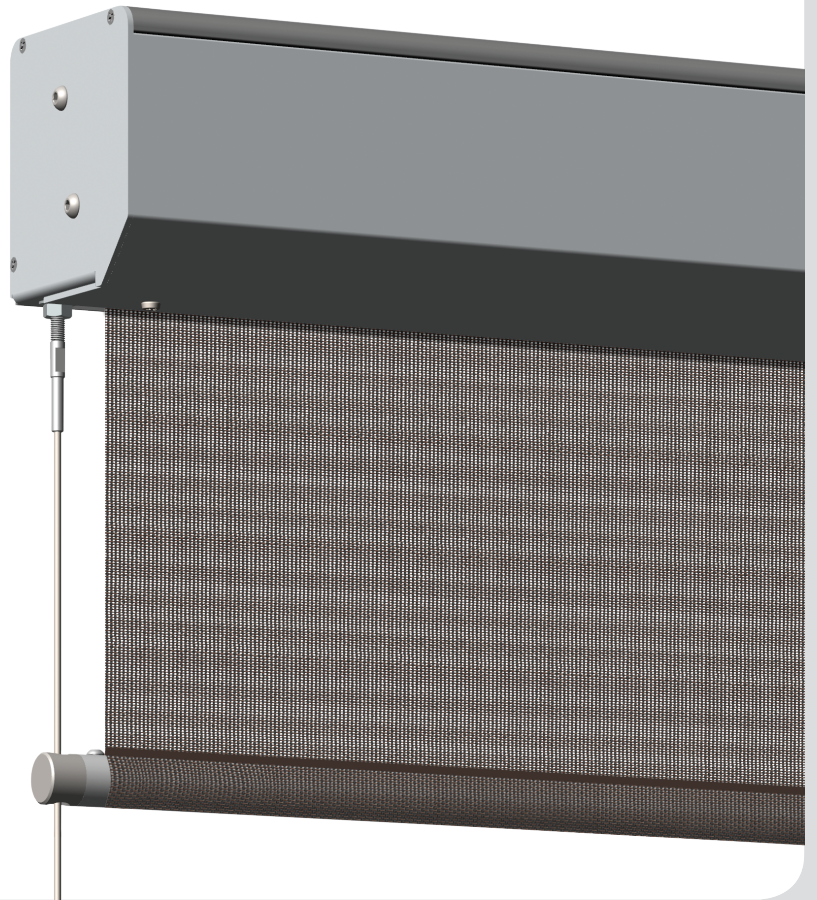


## UNIT MEASUREMENTS

- Custom Widths up to 16'
- Custom Heights up to 20'

## FABRIC CHOICES

- Screens Fabrics
- Black Out Fabrics
- Clear Vinyl
- Sunbrella Fabrics



## MOTORIZED BOX

Motor



5.5" Extruded Aluminum Box



Cable Guided System

Floor or Wall Mount [see page 2](#)

## HARDWARE COLORS

WHITE



DESERT SAND



BROWN



## BOX COLORS

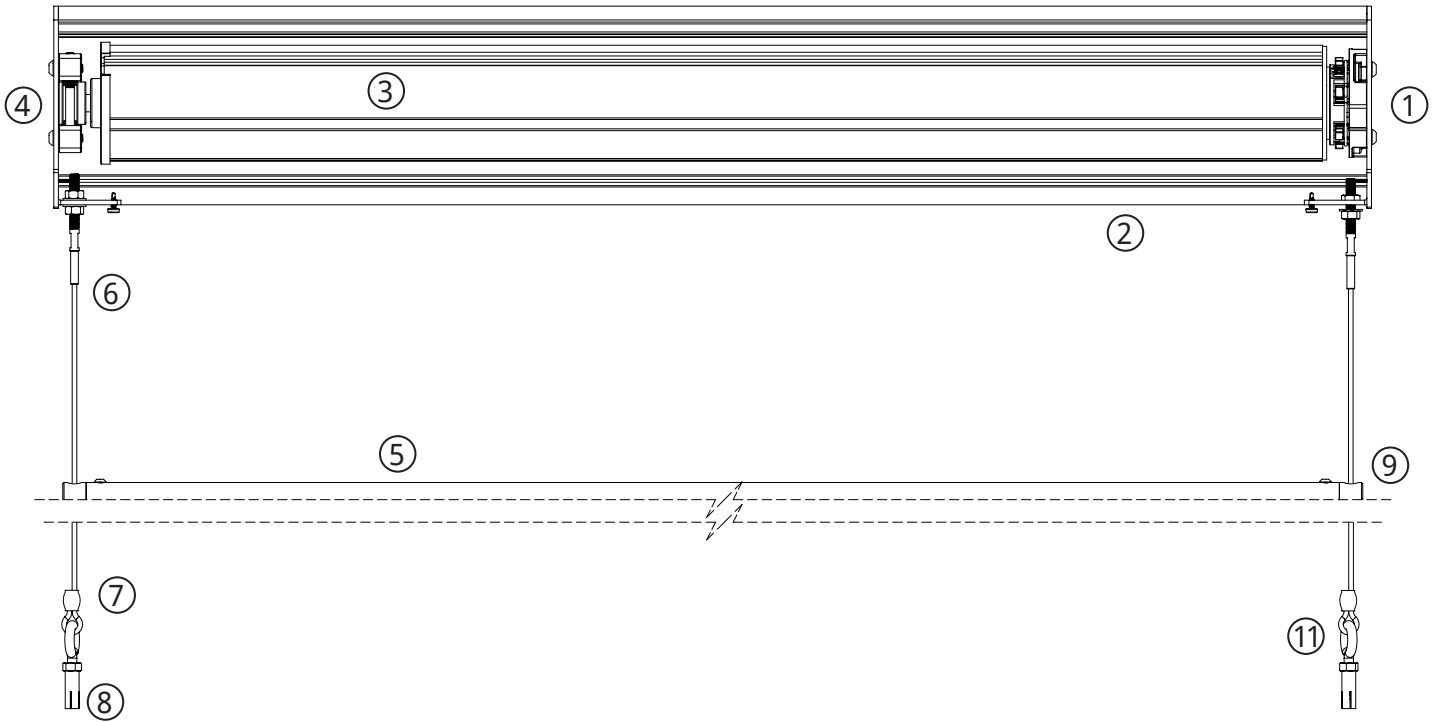


Controls & Sensors



**UPGRADE** *Options*

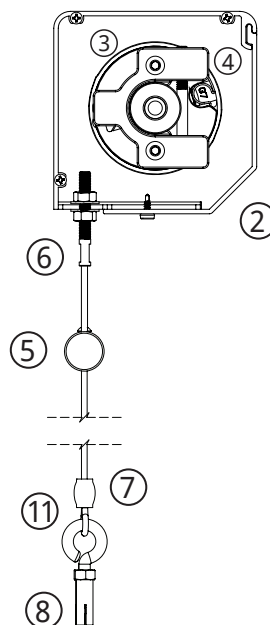
## FRONT VIEW



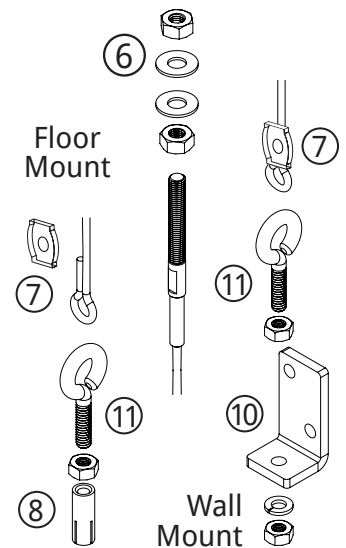
## MOTORIZED COMPONENTS

1. Motor Operation Side
2. 5.5" Extruded Aluminum Box
3. 80mm Fabric Tube
4. Cradler Idler
5. Bottom Bar
6. Tension Rod with Cable
7. Simplex Fastener
8. Cable Anchor
9. Bottom Bar Eyelet
10. Cable Wall Bracket
11. Eye Bolt

## SIDE VIEW

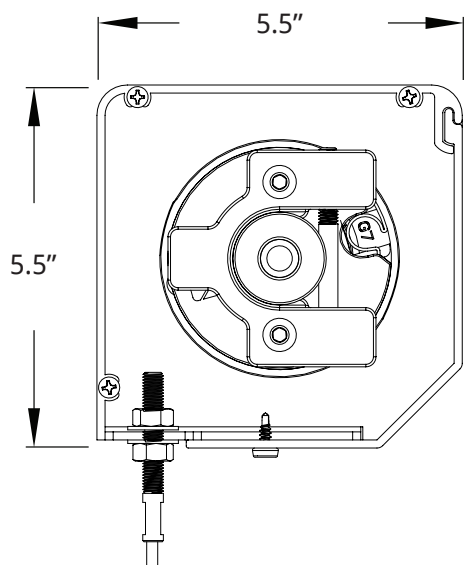
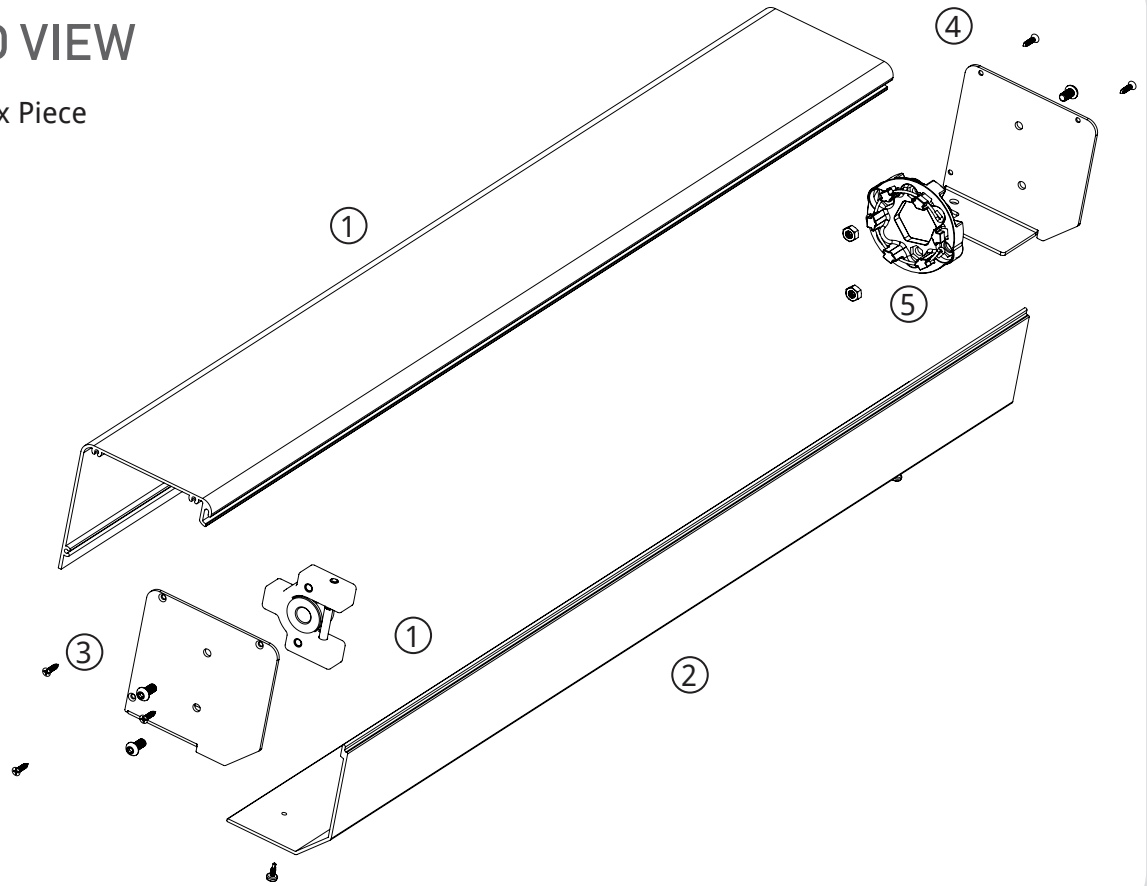


## CABLE COMPONENTS



## EXPLODED VIEW

1. Top Back Box Piece
2. Box Hood
3. End Cap
4. End Cap
5. Star Bracket
6. Cradle Idler



5.5" EXTRUDED ALUMINUM BOX

## EXPLODED VIEW 80MM TUBE

1. Motor
2. 80mm Fabric Tube
3. Round Pin
4. Crown
5. Drive

