

Instructions for 110 Volt Somfy Motor.

IMPORTANT

one motor on a single pole or two on a double pole switch.

Additional motors on same switch require special relays

**110 Volt Motors
Wire to Codes**

Motor Cable

It can pass through the center or side of the motor head.

Raise Yellow cover plate slightly, reposition cable and press back into place

NEVER

**Wire in Parallel or
Use standard Light Switches**

Test Cable (rent from Solar-Screen)

It gives installer the ability to set limits before wiring.

Save time with multiple shades

**Unwind about 12 inches of shade material before placing shade in brackets.
Take care not to kink the shade material especially Mylar.**

See Shade Brackets and Wiring Diagram pictured on the reverse side.

Motor Bracket is equipped with a **clip ring** that **locks** shade into place automatically.

Use Pull Off Tool to release if you must remove shade from the bracket.

Note **Yellow Cover** on Motor. Motor can be located axially in 6 positions-select one that provides access to the **Yellow Limit Switch Cover**.

Idler is **self adjusting** spring loaded.

Install shade by pressing into the Self Leveling Nylon Ball on the Idler Bracket and then into the Motor Bracket.

Setting the Down and Up Limits. (*limit the movement Up and Down to the window size*)

Power Shade to confirm Switch operates in the correct direction. If not the wiring is reversed.

#1. Remove Yellow protective Cap exposing both **Up and Down Limit Switch**.

#2. Depress both Limit Switches-*shade will continue to run unless stopped by switch.*

Take care not to let shade travel too far in either direction.

#3. Power the shade to the lower limit position-stop motor.

#4. Press Limit Button that is in the direction of the roll.

#5. Power the shade to the upper limit position-stop motor.

#6. Press Limit Button that is the direction of the roll.

#7. Test shade by running Up and Down-If correct replace the yellow cover.

Limits can be changed by pressing the appropriate button and repositioning.

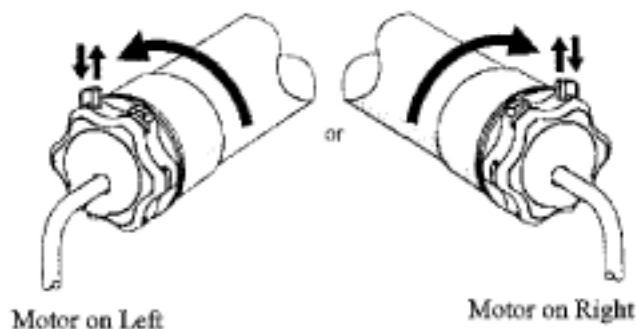
Stop Position

With **Limit Button** pressed **In** bring Shade to the desired stop position. **Note direction of rotation.**

Release Limit Switch button that lies in the direction of rotation by pressing it down again.

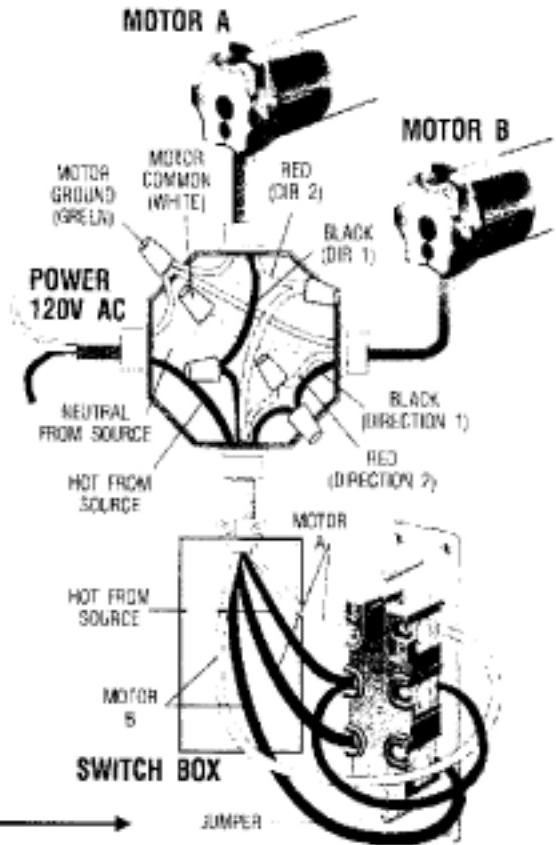
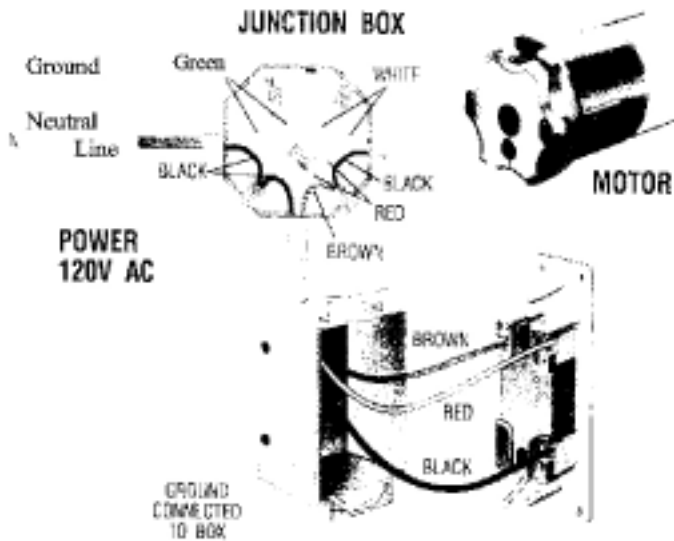
Stop is Set

110 Motor Instructions



ONE MOTOR / SINGLE POLE SWITCH

TWO MOTORS / DOUBLE POLE SWITCH



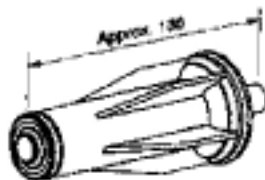
DECORATOR PADDLE/TOGGLE SWITCH
 Single Pole Switch-controls 1 shade
 Double Pole Switch-controls 2 shades
 Motor Bracket



Crown Design-with Locking Spring Ring

6 Positions for Motor Head.
 Set so Limit Switches are reachable.

Free Turning Side (Idler) Spring Loaded-Self Adjusting



Bracket Idler Side

Self aligning Nylon Ball with Bearing Surface

