

## UNIT MEASUREMENTS

- Custom Widths up to 20'
- Custom Heights up to 12'

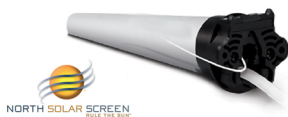
## FABRIC CHOICES

- Screens Fabrics
- Black Out Fabrics
- Clear Vinyl



## MOTORIZED

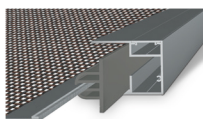
Motor



5.5" Extruded Aluminum Box



Fabric Retention Track (FRT)  
see page 4



.5" Pile Brush see page 4

## HARDWARE COLORS

WHITE



DESERT SAND



BROWN



## BOX COLORS



WHITE



IVORY



LT. BEIGE



DK. BEIGE



SAND



BRONZE



GREY



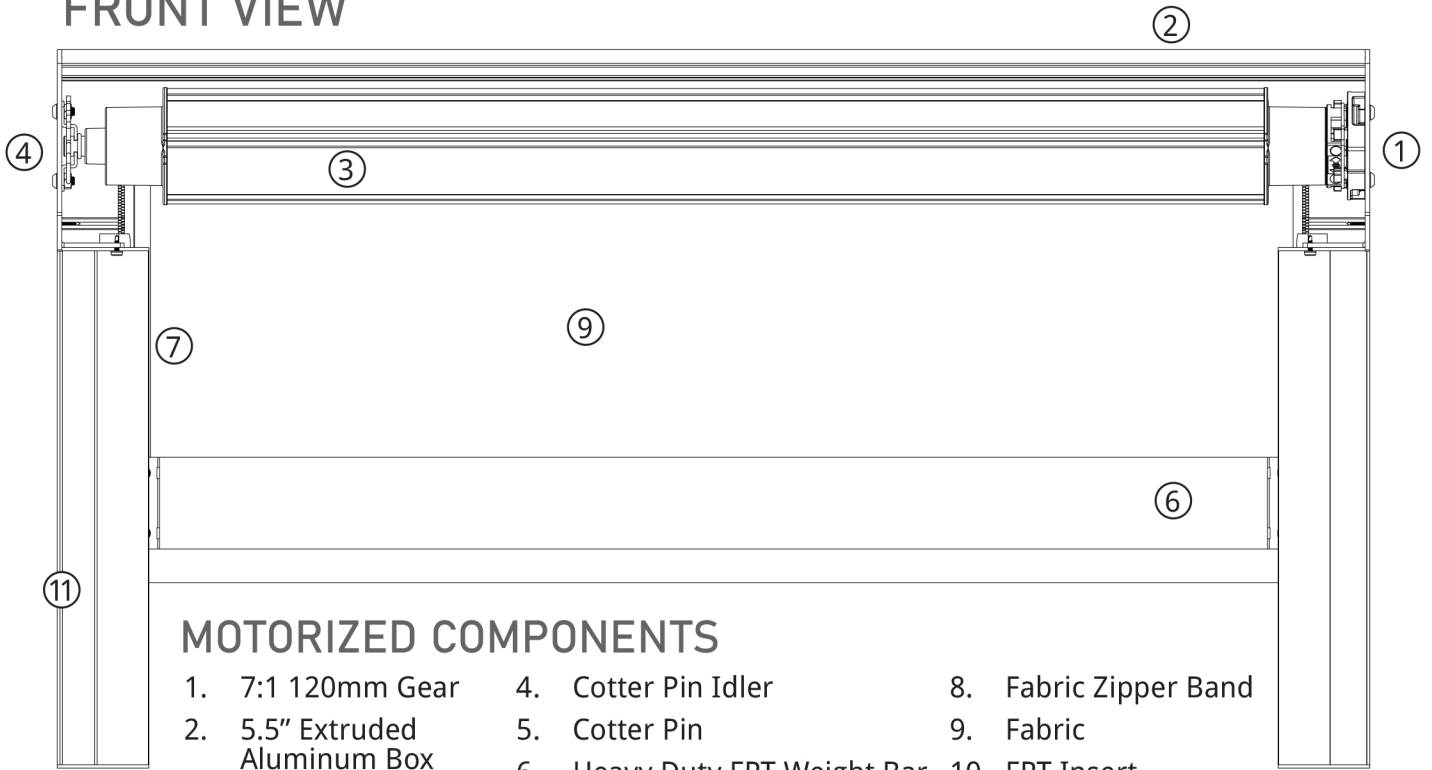
BLACK

Motorized



**UPGRADE** *Options*

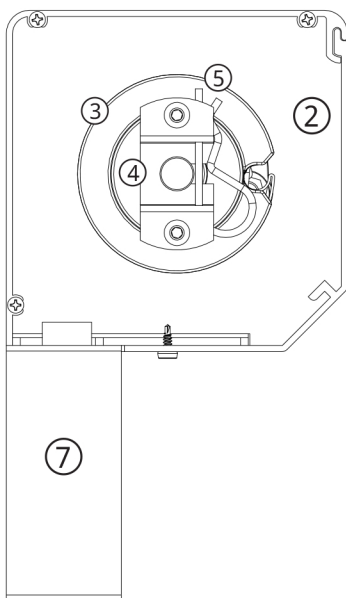
## FRONT VIEW



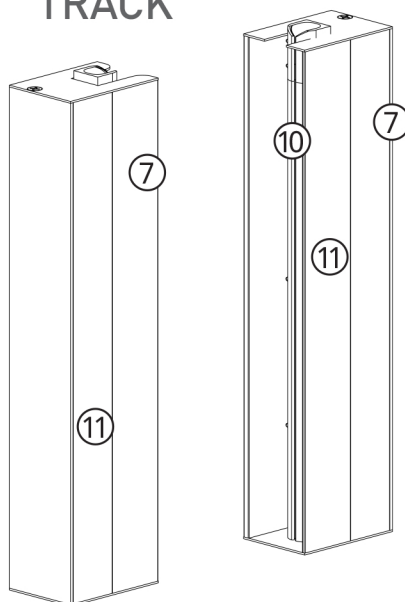
## MOTORIZED COMPONENTS

- |                               |                              |                       |
|-------------------------------|------------------------------|-----------------------|
| 1. 7:1 120mm Gear             | 4. Cotter Pin Idler          | 8. Fabric Zipper Band |
| 2. 5.5" Extruded Aluminum Box | 5. Cotter Pin                | 9. Fabric             |
| 3. 80mm Fabric Tube           | 6. Heavy Duty FRT Weight Bar | 10. FRT Insert        |
| 7. Heavy Duty FRT Track       | 11. Snap Cover               |                       |

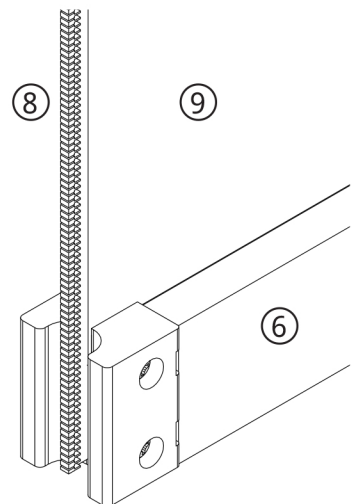
## SIDE VIEW



## HEAVY DUTY FRT TRACK

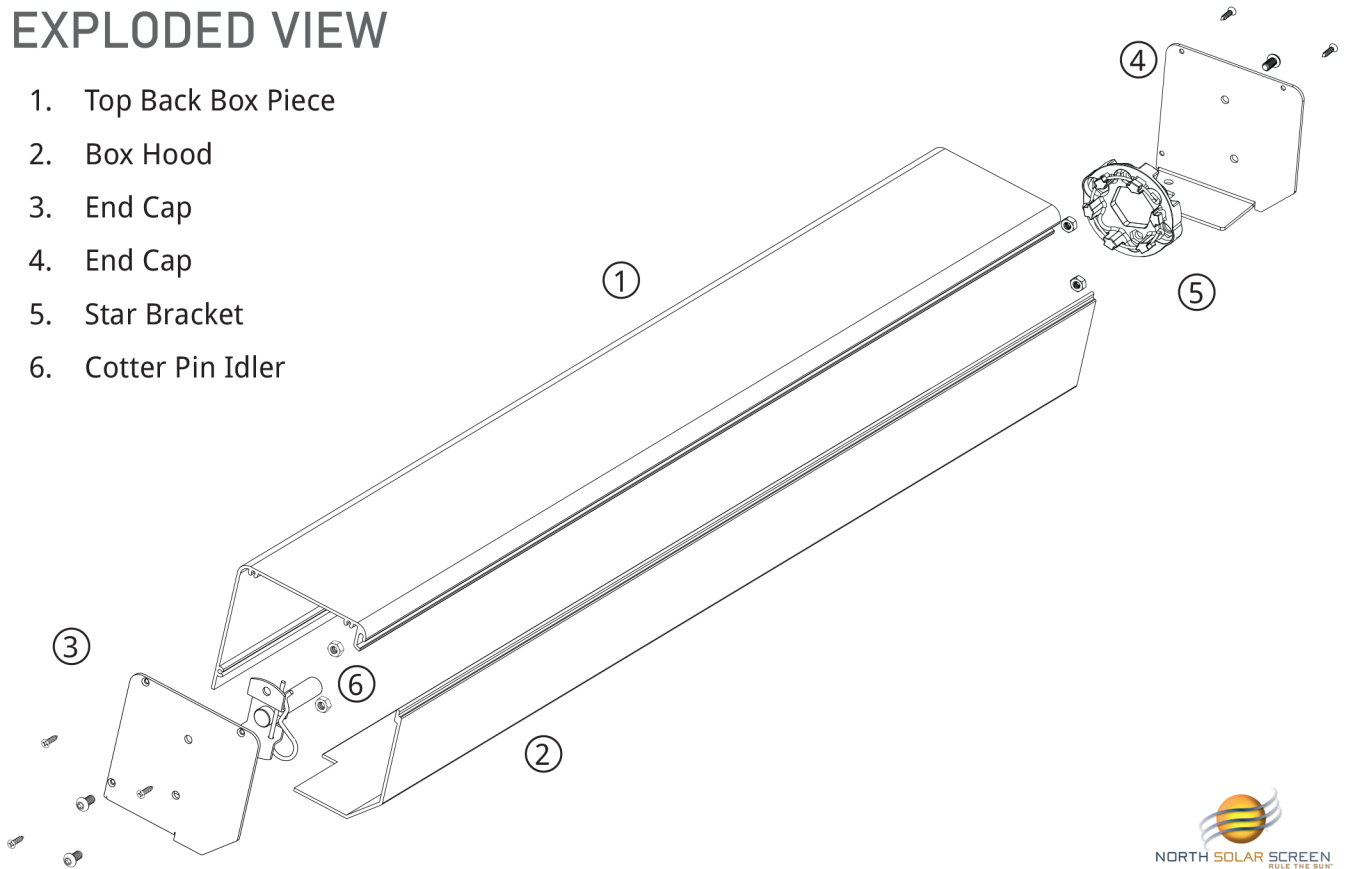


## HEAVY DUTY FRT WEIGHT BAR



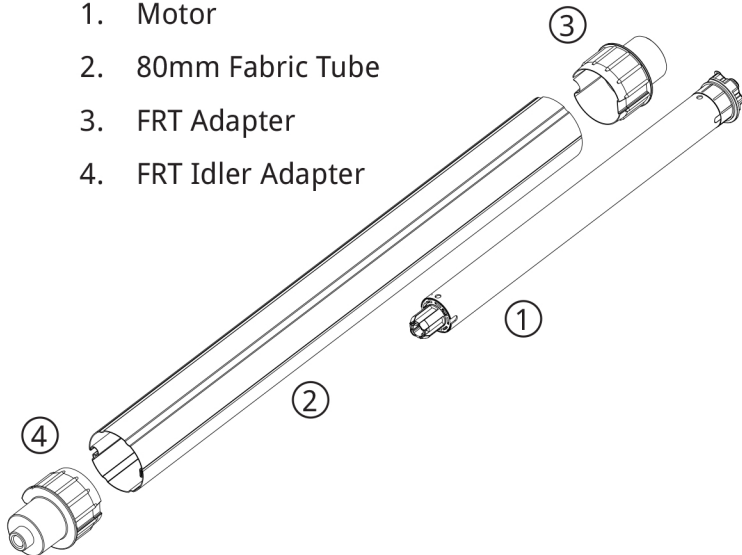
## EXPLODED VIEW

1. Top Back Box Piece
2. Box Hood
3. End Cap
4. End Cap
5. Star Bracket
6. Cotter Pin Idler



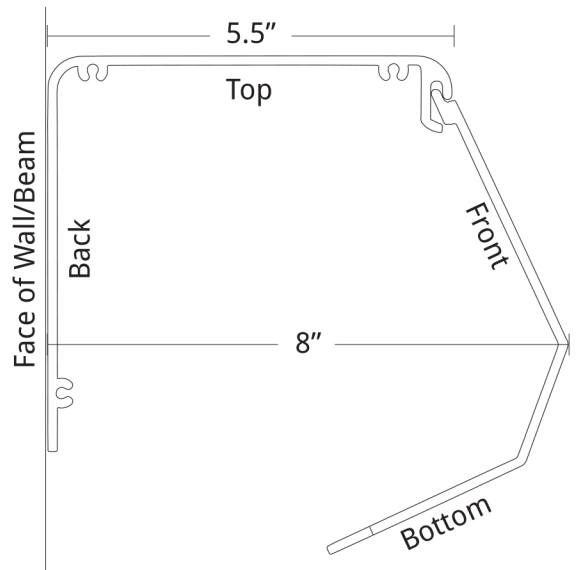
## EXPLODED VIEW 80MM TUBE

1. Motor
2. 80mm Fabric Tube
3. FRT Adapter
4. FRT Idler Adapter



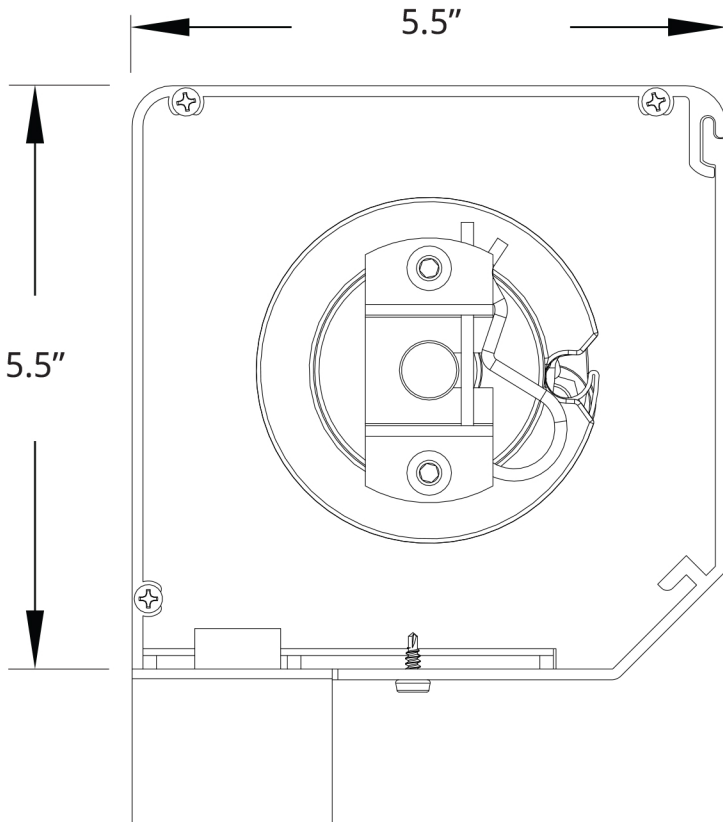
## HOOD CLEARANCE

A minimum of 8" from face of wall/  
beam required for hood clearance

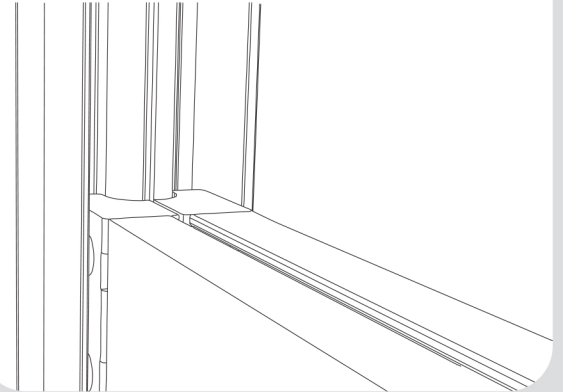


# CITADEL BRAWNY™ ZIPPER TRACK TECHNICAL INFO

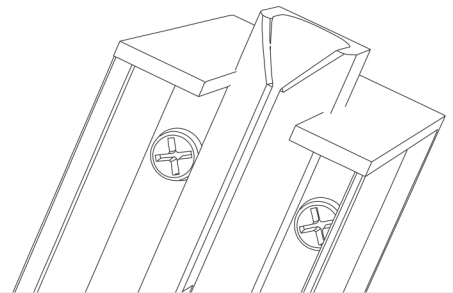
## 5.5" EXTRUDED ALUMINUM BOX



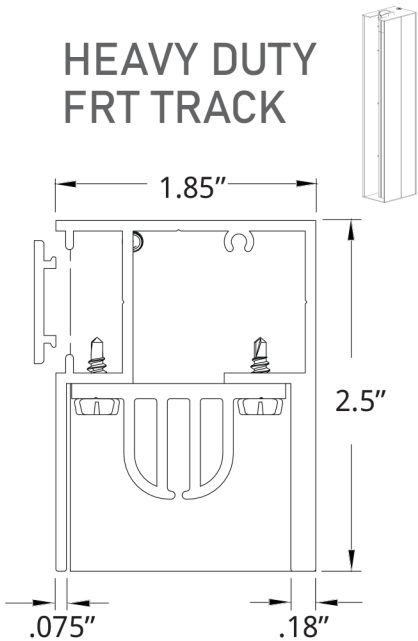
## INTEGRATED WEIGHT BAR & TRACK SYSTEM



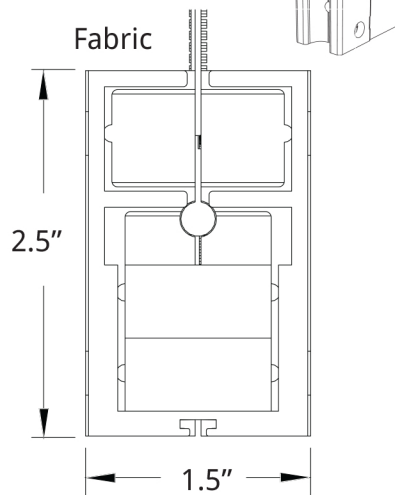
## FUNNEL SYSTEM



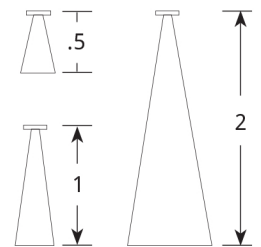
## HEAVY DUTY FRT TRACK



## HEAVY DUTY FRT WEIGHT BAR



## PILE BRUSHES



## WEATHER SEAL

