

UNIT MEASUREMENTS

- Custom Widths up to 20'
- Custom Heights up to 12'

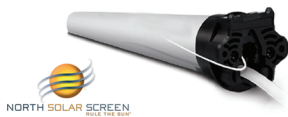
FABRIC CHOICES

- Screens Fabrics
- Black Out Fabrics
- Clear Vinyl



MOTORIZED

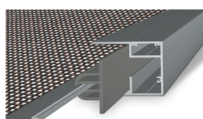
Motor



5.5" Extruded Aluminum Box



Fabric Retention Track (FRT)
see page 4



.5" Pile Brush see page 4

BOX COLORS



WHITE



IVORY



LT. BEIGE



GREY



DK. BEIGE



SAND



BRONZE



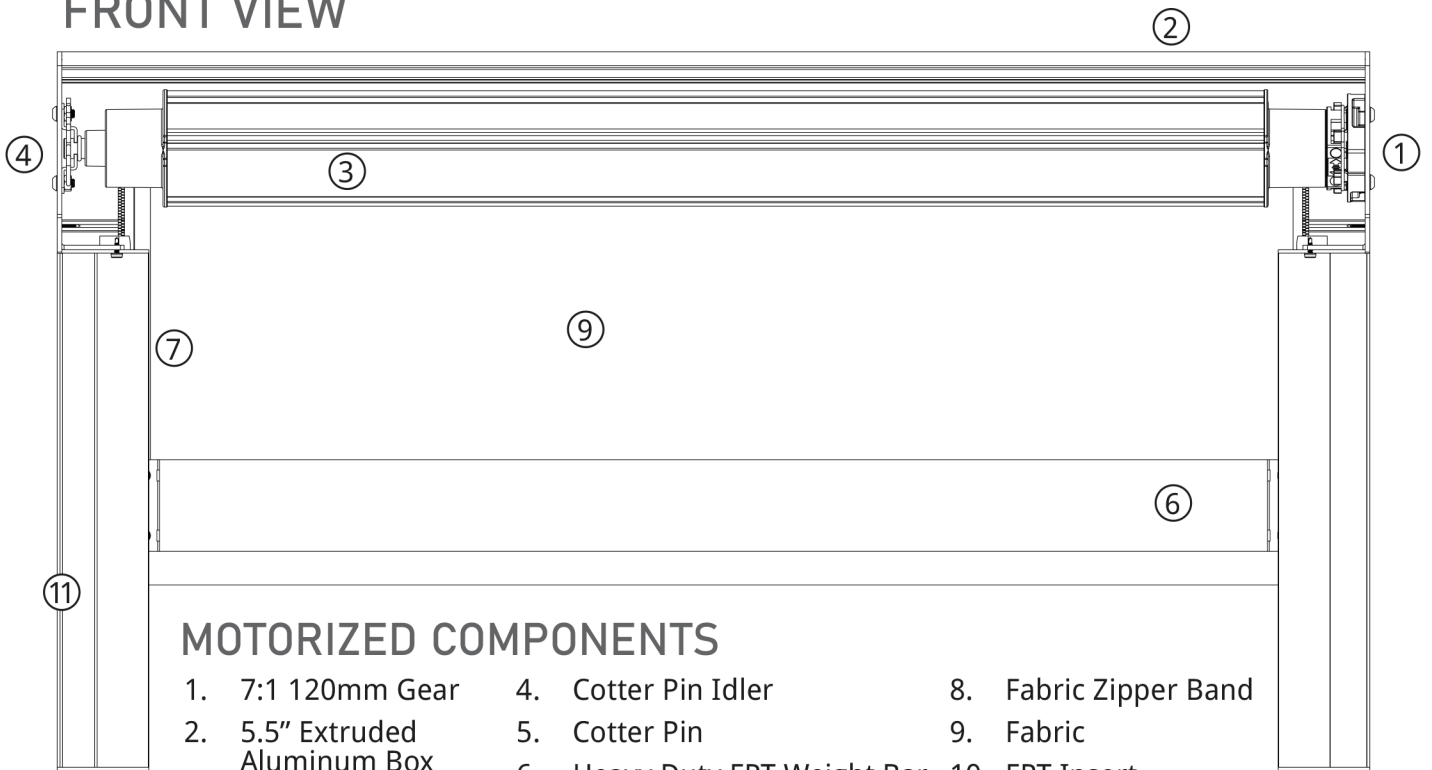
BLACK

Motorized



UPGRADE *Options*

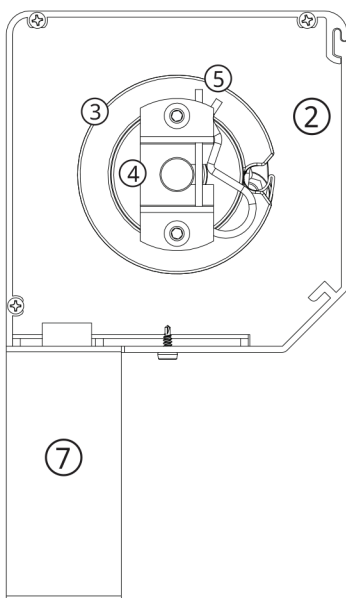
FRONT VIEW



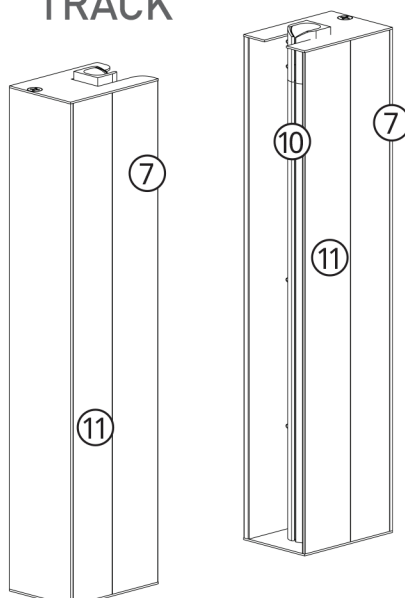
MOTORIZED COMPONENTS

- | | | |
|-------------------------------|------------------------------|-----------------------|
| 1. 7:1 120mm Gear | 4. Cotter Pin Idler | 8. Fabric Zipper Band |
| 2. 5.5" Extruded Aluminum Box | 5. Cotter Pin | 9. Fabric |
| 3. 80mm Fabric Tube | 6. Heavy Duty FRT Weight Bar | 10. FRT Insert |
| | 7. Heavy Duty FRT Track | 11. Snap Cover |

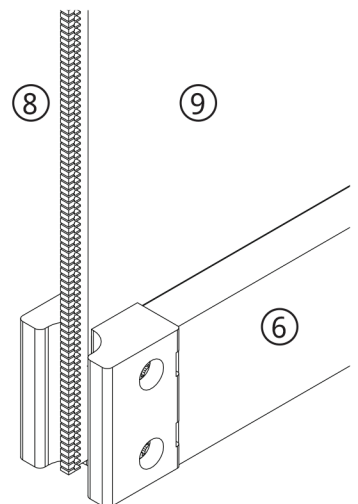
SIDE VIEW



HEAVY DUTY FRT TRACK

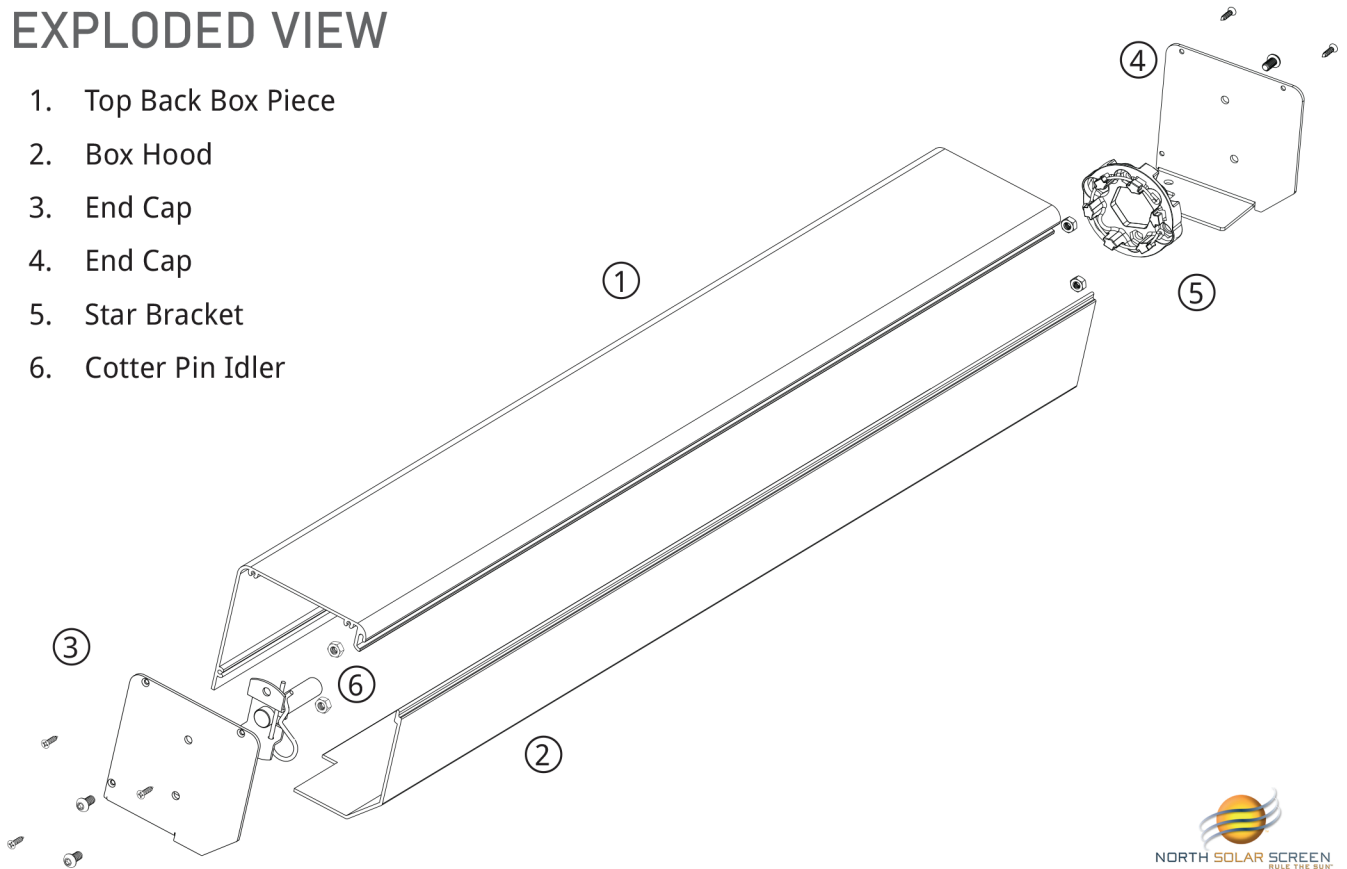


HEAVY DUTY FRT WEIGHT BAR



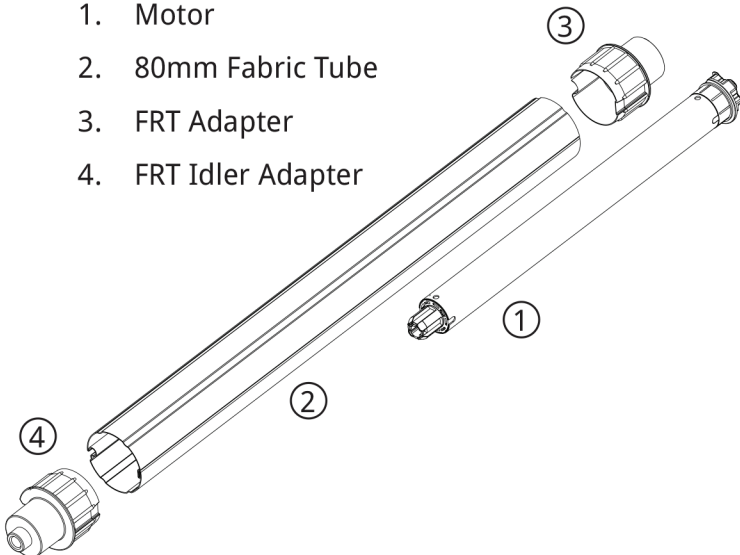
EXPLODED VIEW

1. Top Back Box Piece
2. Box Hood
3. End Cap
4. End Cap
5. Star Bracket
6. Cotter Pin Idler



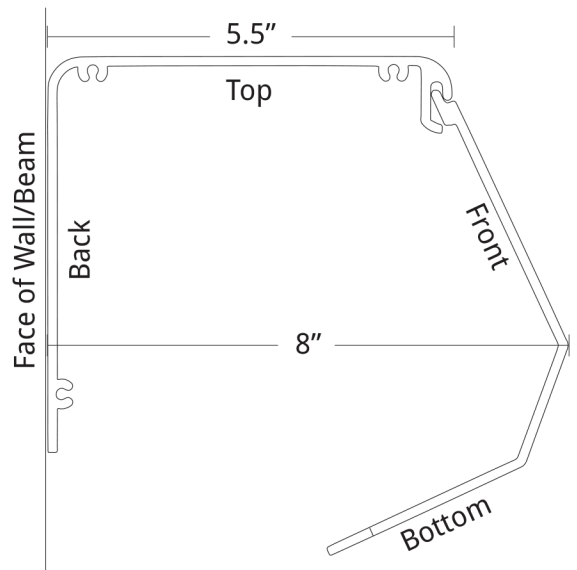
EXPLODED VIEW 80MM TUBE

1. Motor
2. 80mm Fabric Tube
3. FRT Adapter
4. FRT Idler Adapter



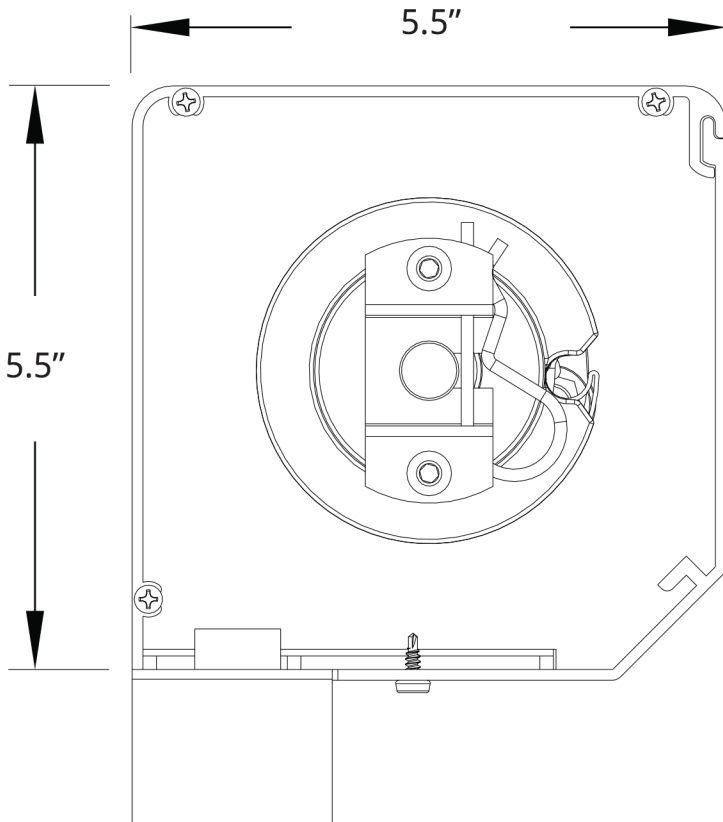
HOOD CLEARANCE

A minimum of 8" from face of wall/
beam required for hood clearance

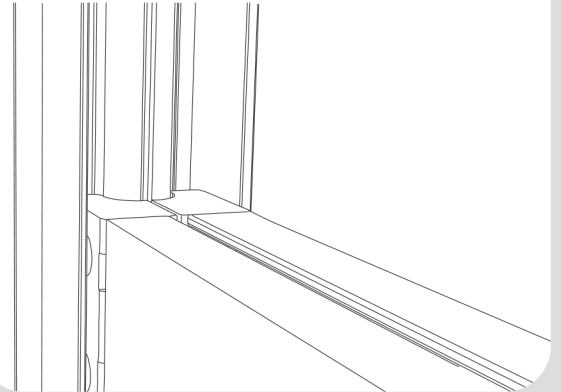


CITADEL BRAWNY™ ZIPPER TRACK TECHNICAL INFO

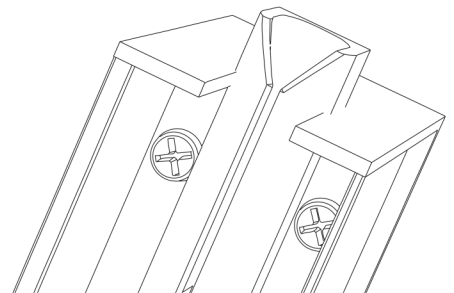
5.5" EXTRUDED ALUMINUM BOX



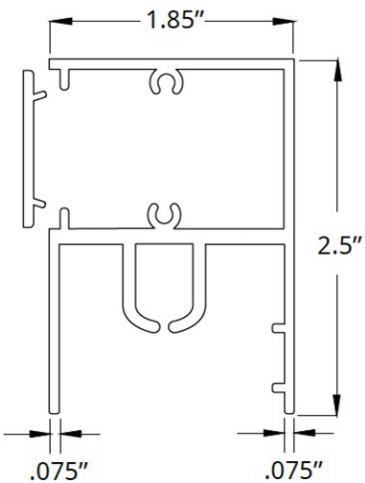
INTEGRATED WEIGHT BAR & TRACK SYSTEM



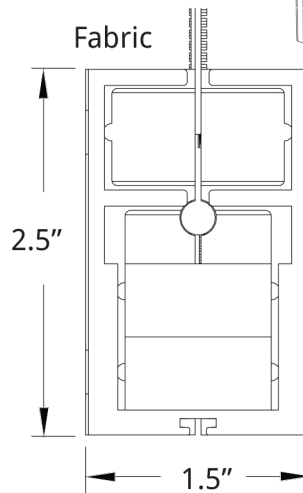
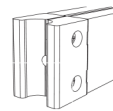
FUNNEL SYSTEM



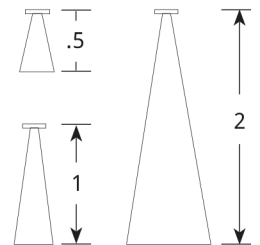
HEAVY DUTY FRT TRACK



HEAVY DUTY FRT WEIGHT BAR



PILE BRUSHES



WEATHER SEAL

