

UNIT MEASUREMENTS

- Custom Widths up to 14'
- Custom Heights up to 12'

FABRIC CHOICES

- Screens Fabrics
- Black Out Fabrics
- Clear Vinyl



MANUAL FRT

Gear



4.5" Extruded Aluminum Box



Hand Brace



48" | 60" | 72" | 84" | 96"

Fabric Retention Track (FRT)
see page 4

.5" Pile Brush see page 4

HARDWARE COLORS



BLACK



DESERT SAND



BROWN



WHITE

BOX COLORS



WHITE



IVORY



LT. BEIGE



DK. BEIGE



SAND



BRONZE



GREY



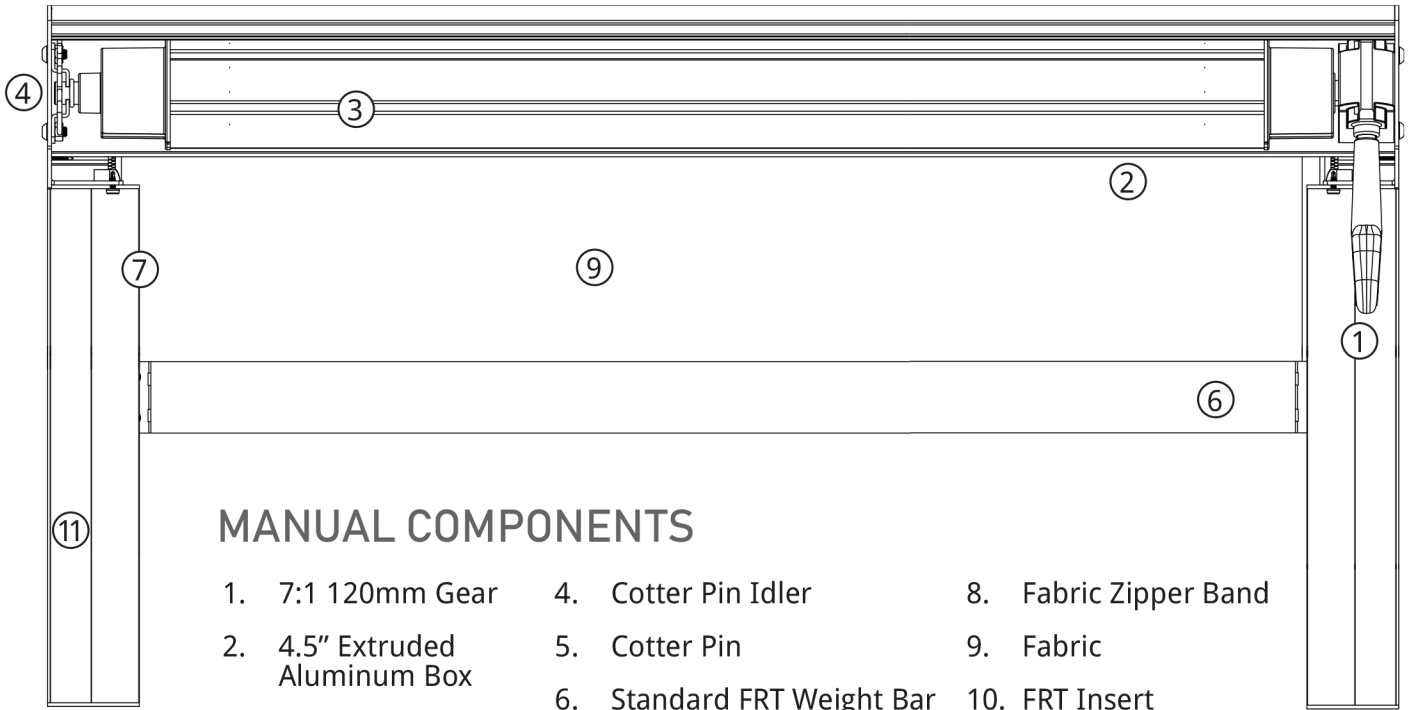
BLACK

Motorized



UPGRADE *Options*

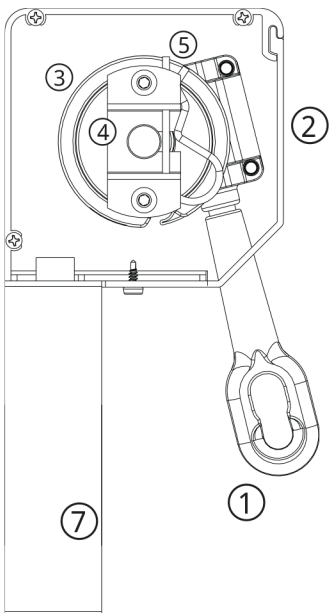
FRONT VIEW



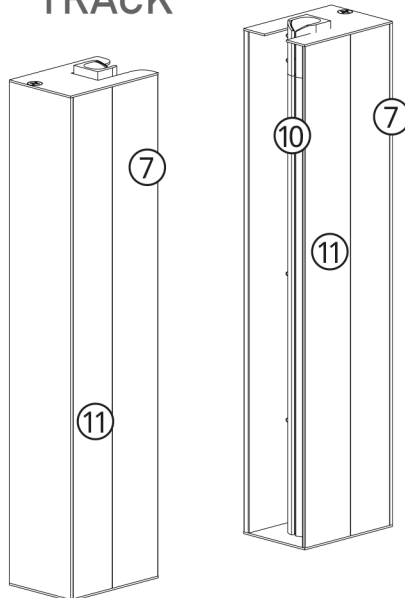
MANUAL COMPONENTS

- | | | |
|-------------------------------|----------------------------|-----------------------|
| 1. 7:1 120mm Gear | 4. Cotter Pin Idler | 8. Fabric Zipper Band |
| 2. 4.5" Extruded Aluminum Box | 5. Cotter Pin | 9. Fabric |
| 3. 70mm Fabric Tube | 6. Standard FRT Weight Bar | 10. FRT Insert |
| | 7. Standard FRT Track | 11. Snap Cover |

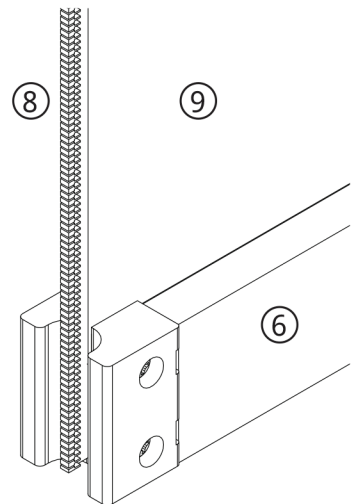
SIDE VIEW



STANDARD FRT TRACK

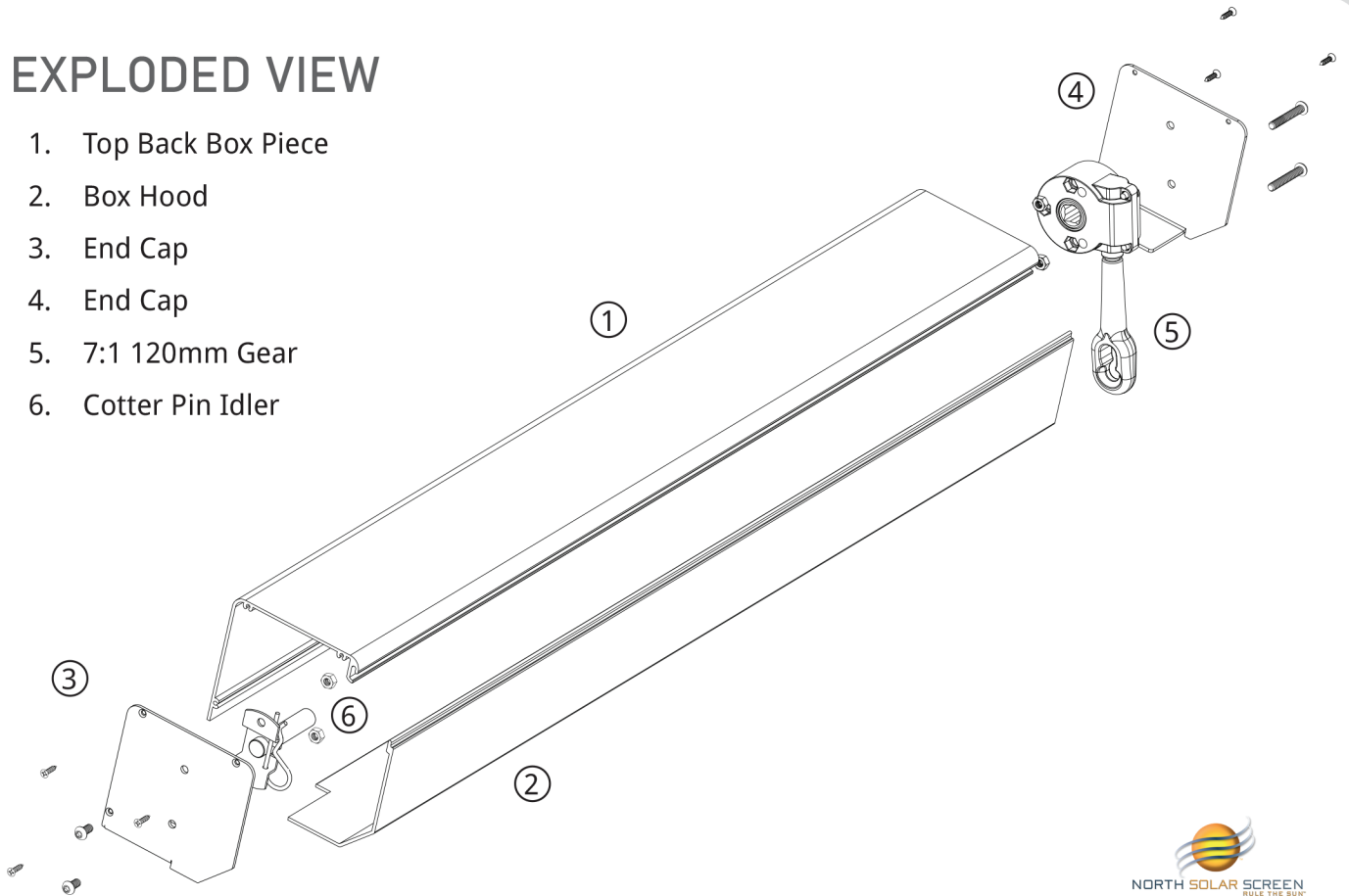


STANDARD FRT WEIGHT BAR



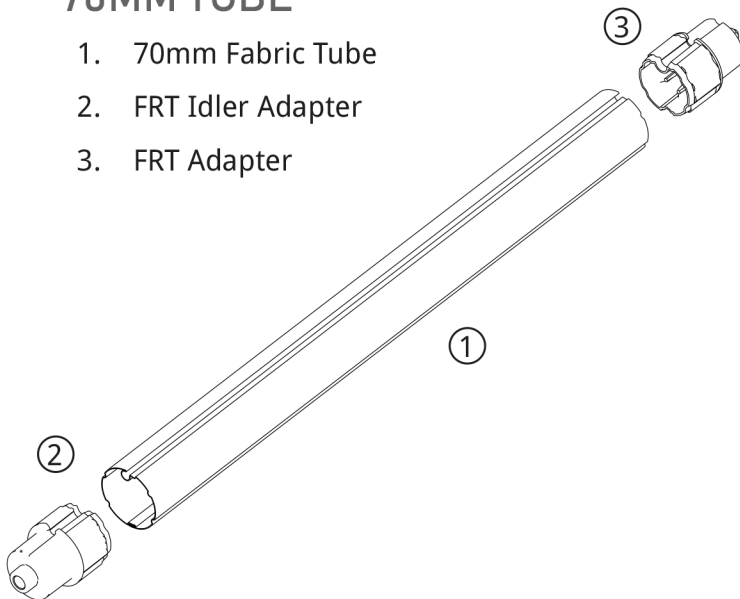
EXPLODED VIEW

1. Top Back Box Piece
2. Box Hood
3. End Cap
4. End Cap
5. 7:1 120mm Gear
6. Cotter Pin Idler



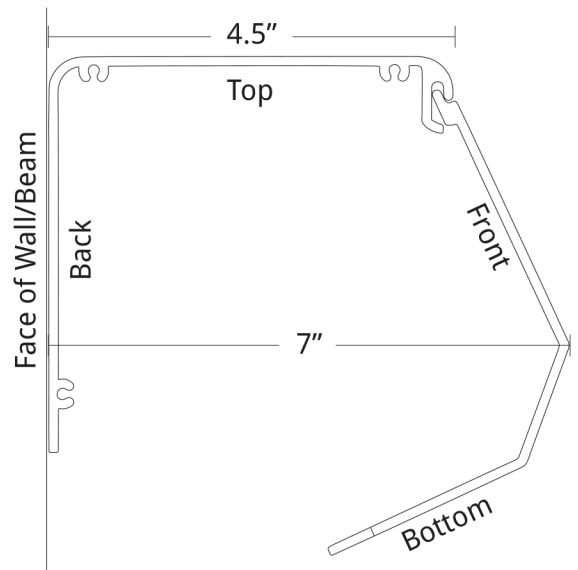
EXPLODED VIEW 70MM TUBE

1. 70mm Fabric Tube
2. FRT Idler Adapter
3. FRT Adapter

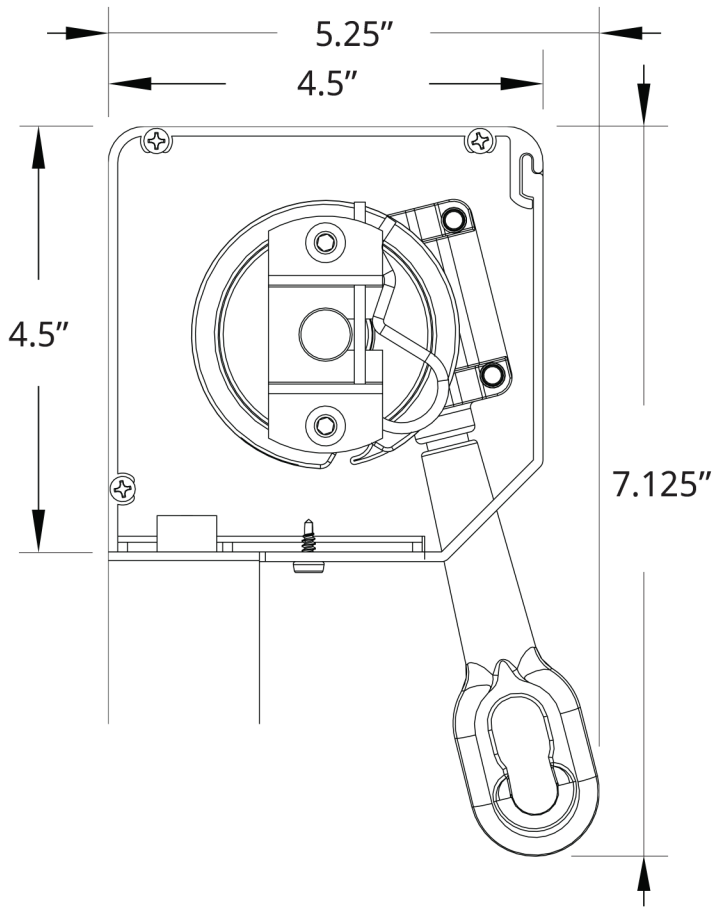


HOOD CLEARANCE

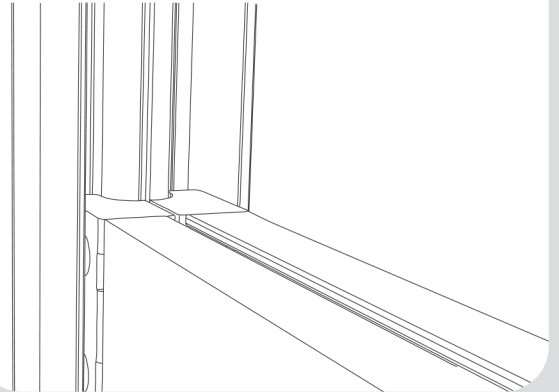
A minimum of 7" from face of wall/
beam required for hood clearance



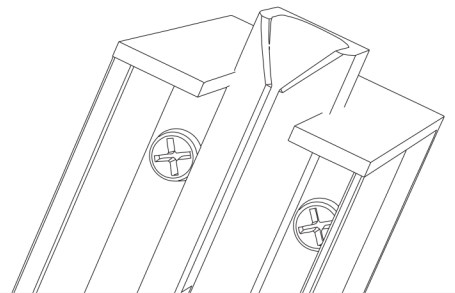
4.5" EXTRUDED ALUMINUM BOX



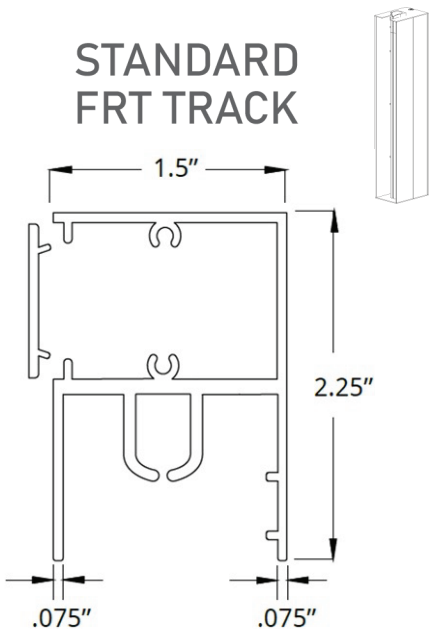
INTEGRATED WEIGHT BAR & TRACK SYSTEM



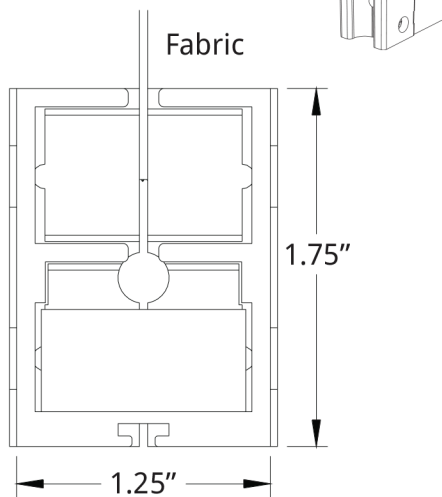
FUNNEL SYSTEM



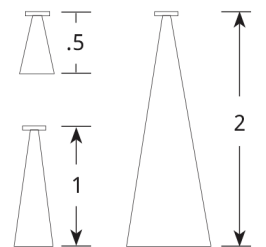
STANDARD FRT TRACK



STANDARD FRT WEIGHT BAR



PILE BRUSHES



WEATHER SEAL

