

UNIT MEASUREMENTS

- Custom Widths up to 14'
- Custom Heights up to 12'

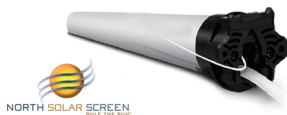
FABRIC CHOICES

- Screens Fabrics
- Black Out Fabrics
- Clear Vinyl



MOTORIZED

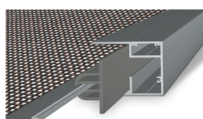
Motor



4.5" Extruded Aluminum Box



Fabric Retention Track (FRT)
see page 4



.5" Pile Brush see page 4

BOX COLORS



WHITE



IVORY



LT. BEIGE



GREY



DK. BEIGE



SAND



BRONZE



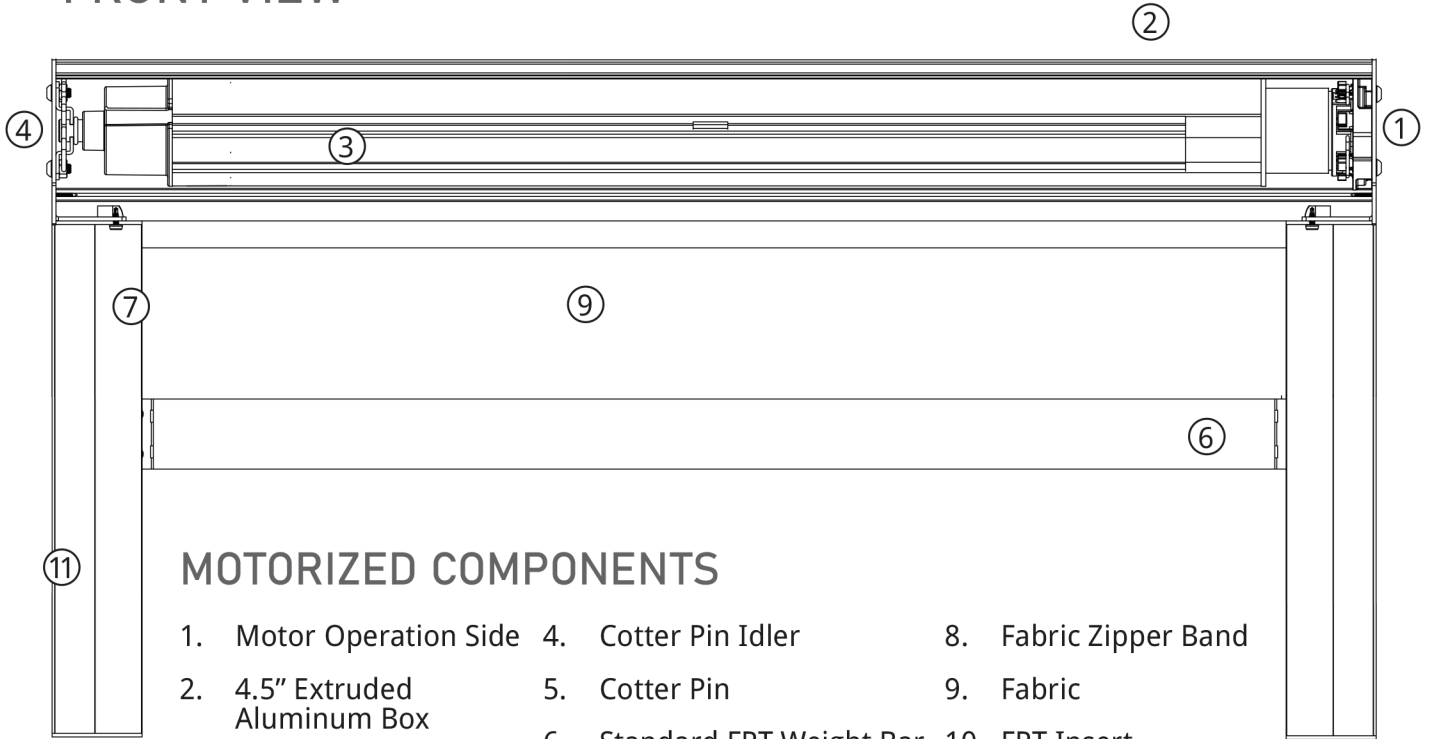
BLACK

Motorized



UPGRADE *Options*

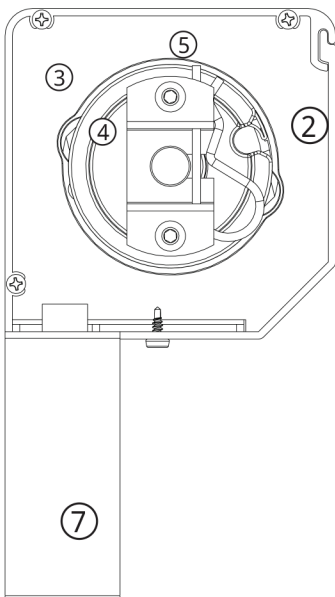
FRONT VIEW



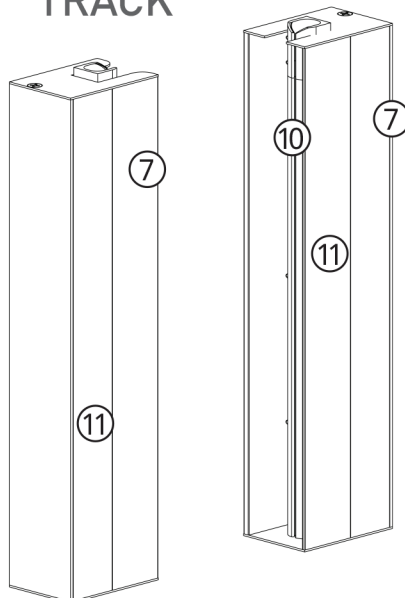
MOTORIZED COMPONENTS

- | | | |
|-------------------------------|----------------------------|-----------------------|
| 1. Motor Operation Side | 4. Cotter Pin Idler | 8. Fabric Zipper Band |
| 2. 4.5" Extruded Aluminum Box | 5. Cotter Pin | 9. Fabric |
| 3. 70mm Fabric Tube | 6. Standard FRT Weight Bar | 10. FRT Insert |
| | 7. Standard FRT Track | 11. Snap Cover |

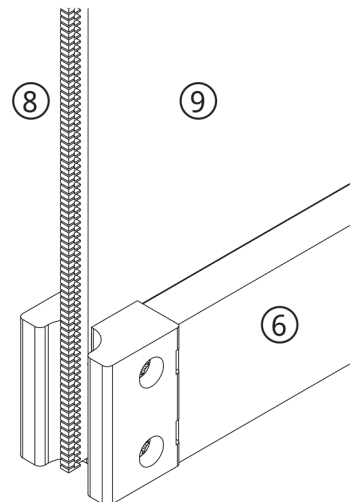
SIDE VIEW



STANDARD FRT TRACK

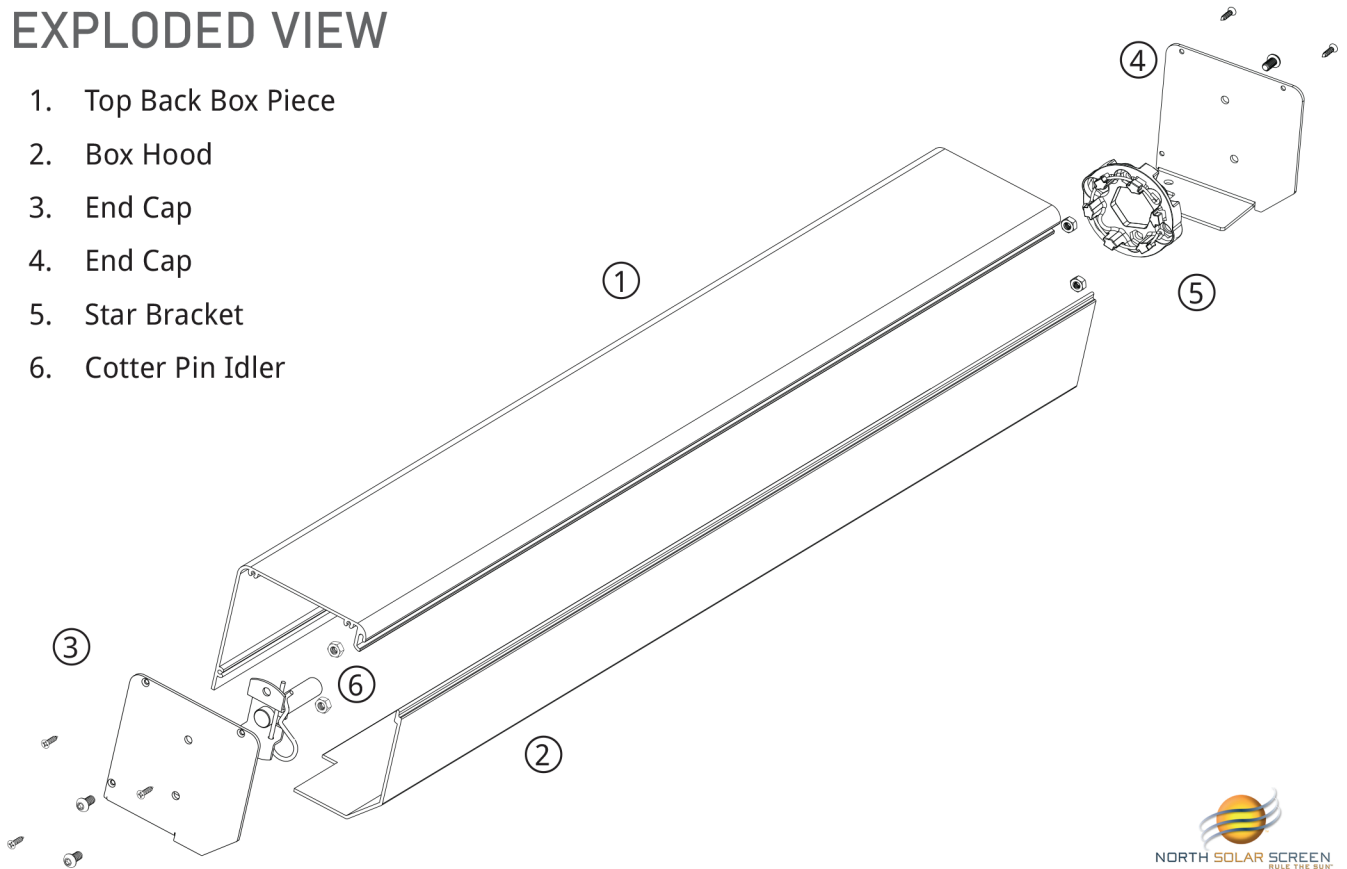


STANDARD FRT WEIGHT BAR



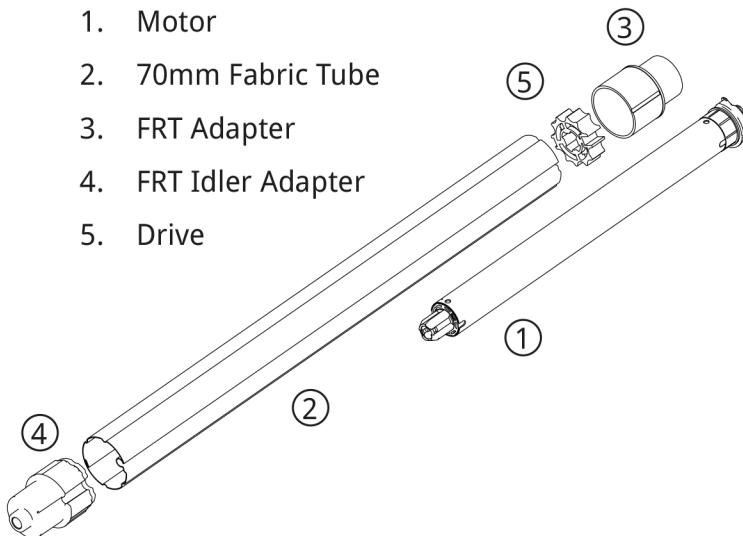
EXPLODED VIEW

1. Top Back Box Piece
2. Box Hood
3. End Cap
4. End Cap
5. Star Bracket
6. Cotter Pin Idler



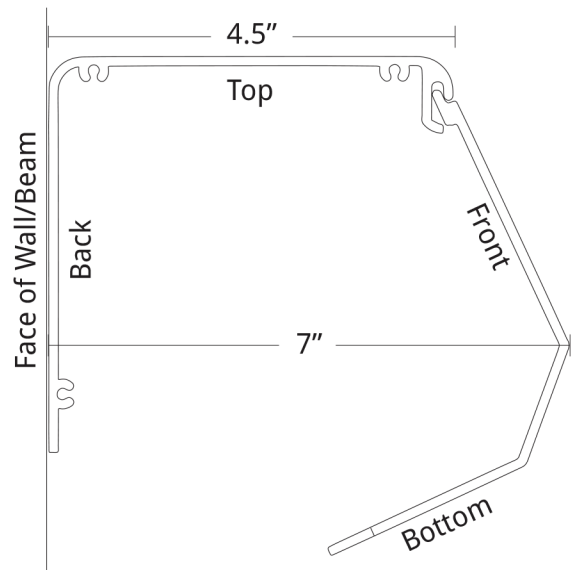
EXPLODED VIEW 70MM TUBE

1. Motor
2. 70mm Fabric Tube
3. FRT Adapter
4. FRT Idler Adapter
5. Drive

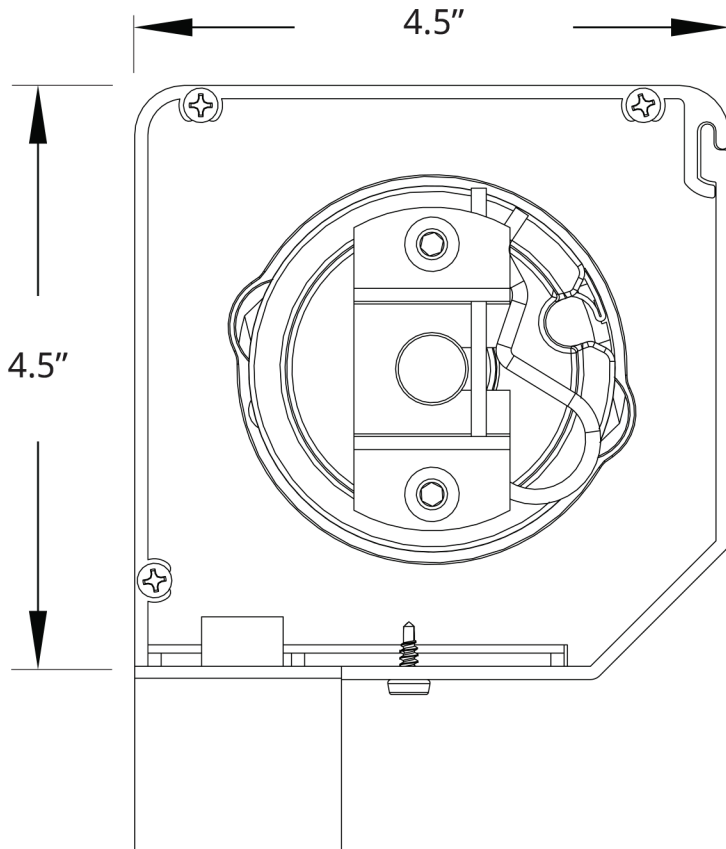


HOOD CLEARANCE

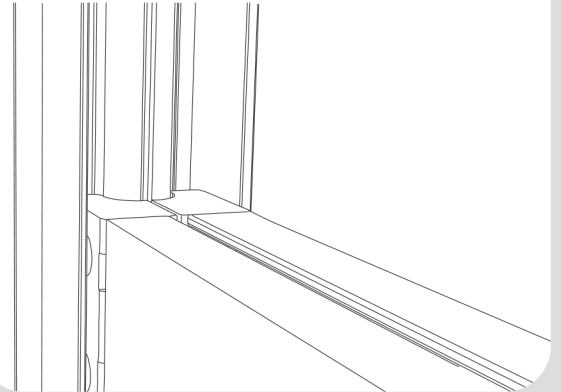
A minimum of 7" from face of wall/
beam required for hood clearance



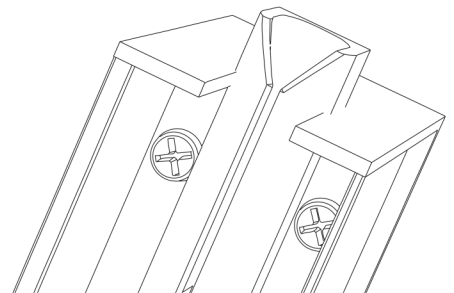
4.5" EXTRUDED ALUMINUM BOX



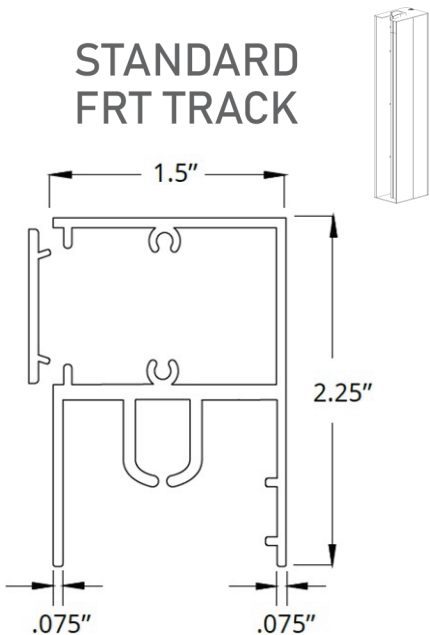
INTEGRATED WEIGHT BAR & TRACK SYSTEM



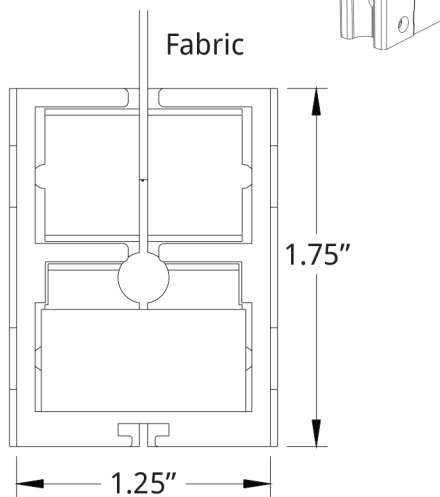
FUNNEL SYSTEM



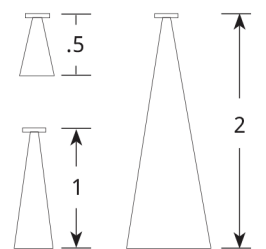
STANDARD FRT TRACK



STANDARD FRT WEIGHT BAR



PILE BRUSHES



WEATHER SEAL

